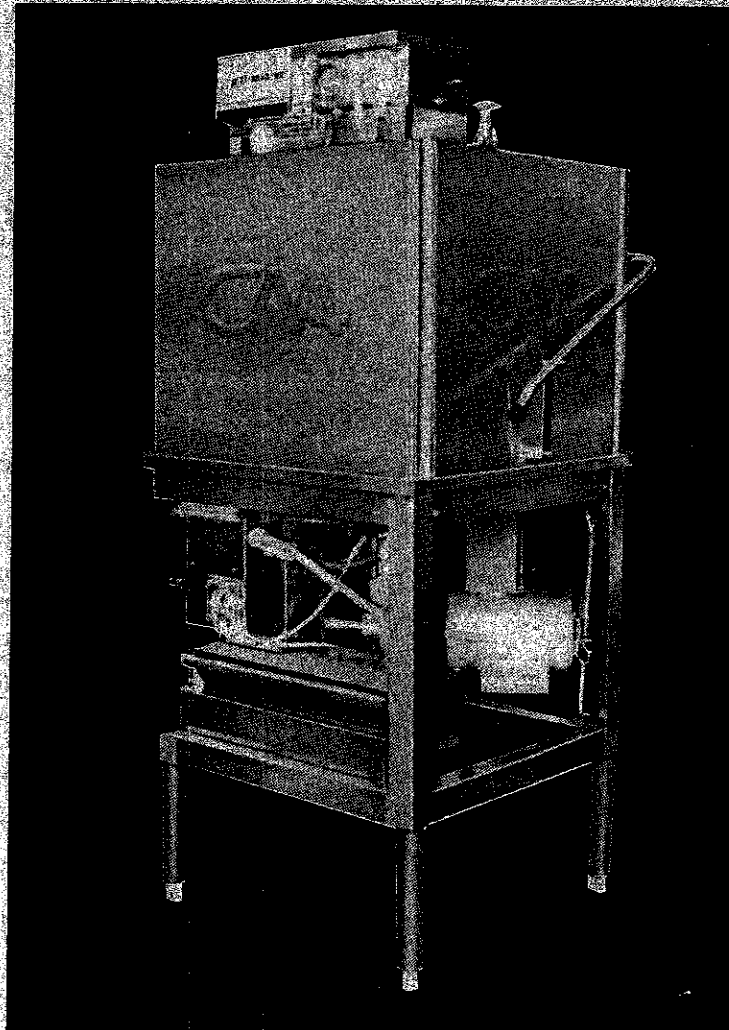


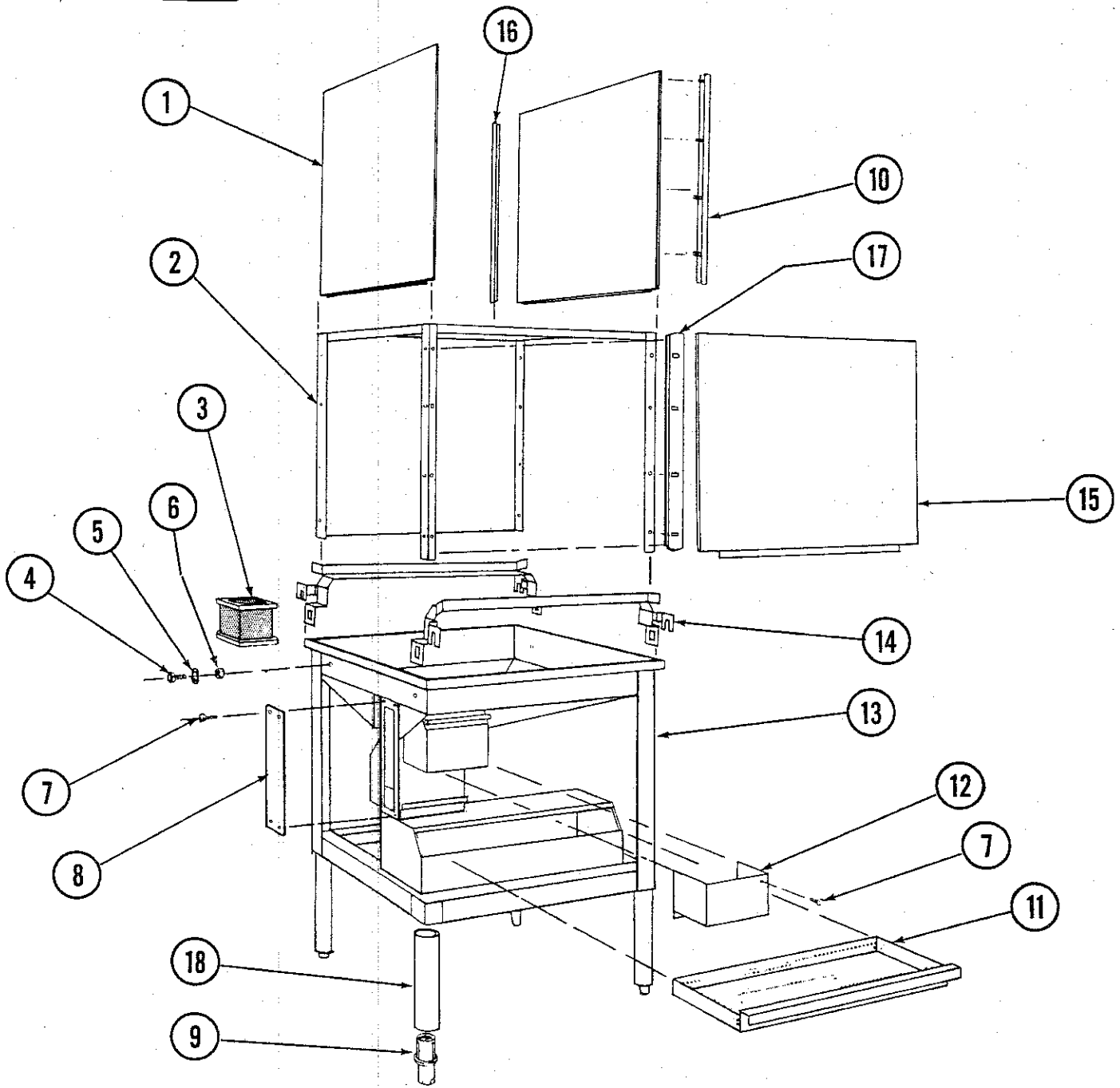
MODEL VA PARTS MANUAL



CMA DISHMACHINES
12700 KNOTT AVENUE
GARDEN GROVE, CALIFORNIA 92841

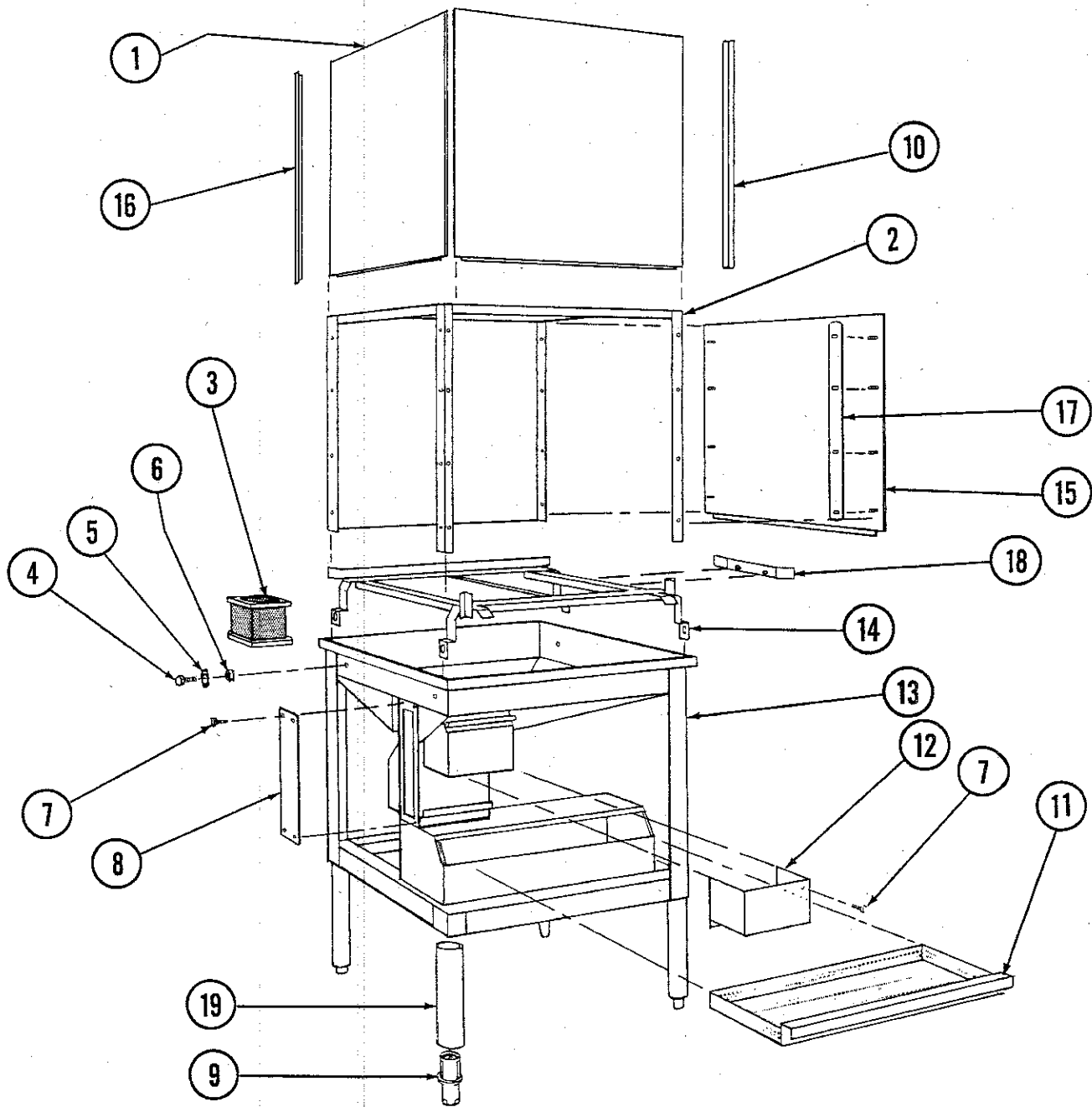
800-854-6417
FAX 714-895-2141

	Page
VA-Cabinet System Assembly	3
Corner-VA-Cabinet System Assembly	4
VA-Door Actuator System Assembly	5
Corner-VA-Door Actuator System Assembly	6
Plumbing System Assembly	7
Spray System Assembly	8
Power Drain Assembly	9
Pump System Assembly	10
Control Box System Assembly	11
Peristaltic Pump Assembly	12
Optional Sani Alarm	13
Wiring Diagram	14



ITEM NO.	NO. REQ'D	DESCRIPTION
1	2	P/N 01506.82 Door (V)
2	1	P/N 01530.82 Wrapper (V)
3	1	P/N 00115.85 Drain Screen (V)
4	4	P/N 00906.00 1/4" - 20 1/2" Hexhead Bolt
5	24	P/N 00924.00 1/4" SS Washer
6	24	P/N 00912.00 1/4" - 20 Nylon Lock Nut
7	6	P/N 00941.00 10 - 32 x 5/8" Pan Head Screw
8	1	P/N 00120.82 Power Drain Cover
9	4	P/N 01310.20 Bullet Foot Plastic

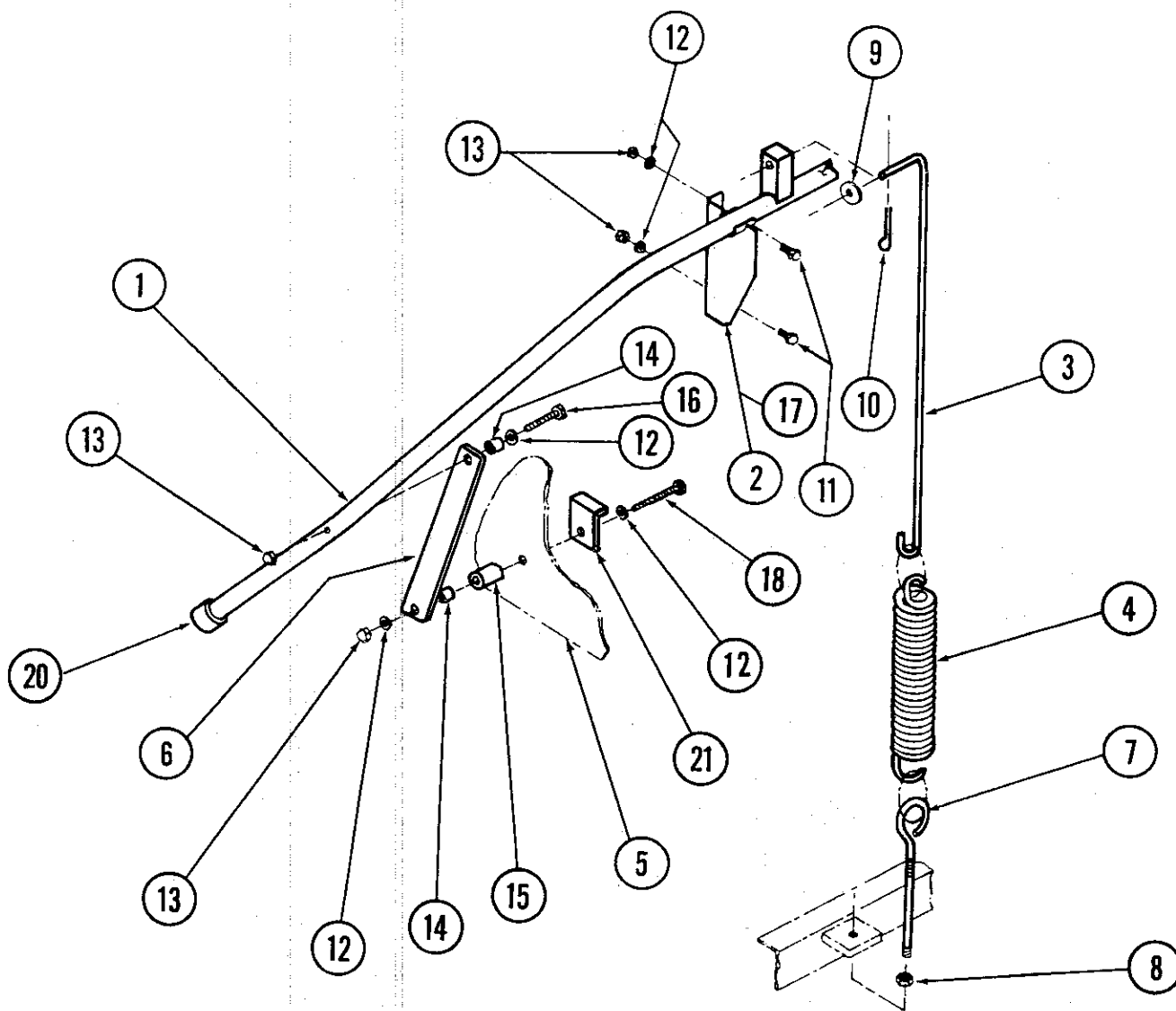
ITEM NO.	NO. REQ'D	DESCRIPTION
10	4	P/N 01554.82 Door Guide SS (V)
11	1	P/N 01562.82 Scrap Trap Drawer (V)
12	1	P/N 01573.82 Sani Mount/Drain Lid (V)
13	1	P/N 01502.82 Stand/Pan (V)
14	1	P/N 01505.84 Tray Track (VA-AH) Set of Two
15	1	P/N 01540.82 Wrapper Panel
16	4	P/N 00636.82 EZ Glide Door Guide Plastic
17	2	P/N 13706.00 Door Seal Gasket
18	4	P/N 01572.82 Legs (VA-CVA)



ITEM NO.	NO. REQ'D	DESCRIPTION
1	2	P/N 01506.82 Door (V)
2	1	P/N 01530.82 Wrapper (V)
3	1	P/N 00115.85 Drain Screen (V)
4	4	P/N 00906.00 1/4" - 20 1/2" Hex Head Bolt
5	24	P/N 00923.00 1/4" Brass Washer
6	24	P/N 00912.00 1/4" - 20 Nylon Lock Nut
7	6	P/N 00941.00 10 - 32 x 5/8" Panhead Screw
8	1	P/N 00120.82 Power Drain Cover
9	4	P/N 01310.20 Bullet Foot Plastic
10	4	P/N 01554.82 Door Guide SS (V)

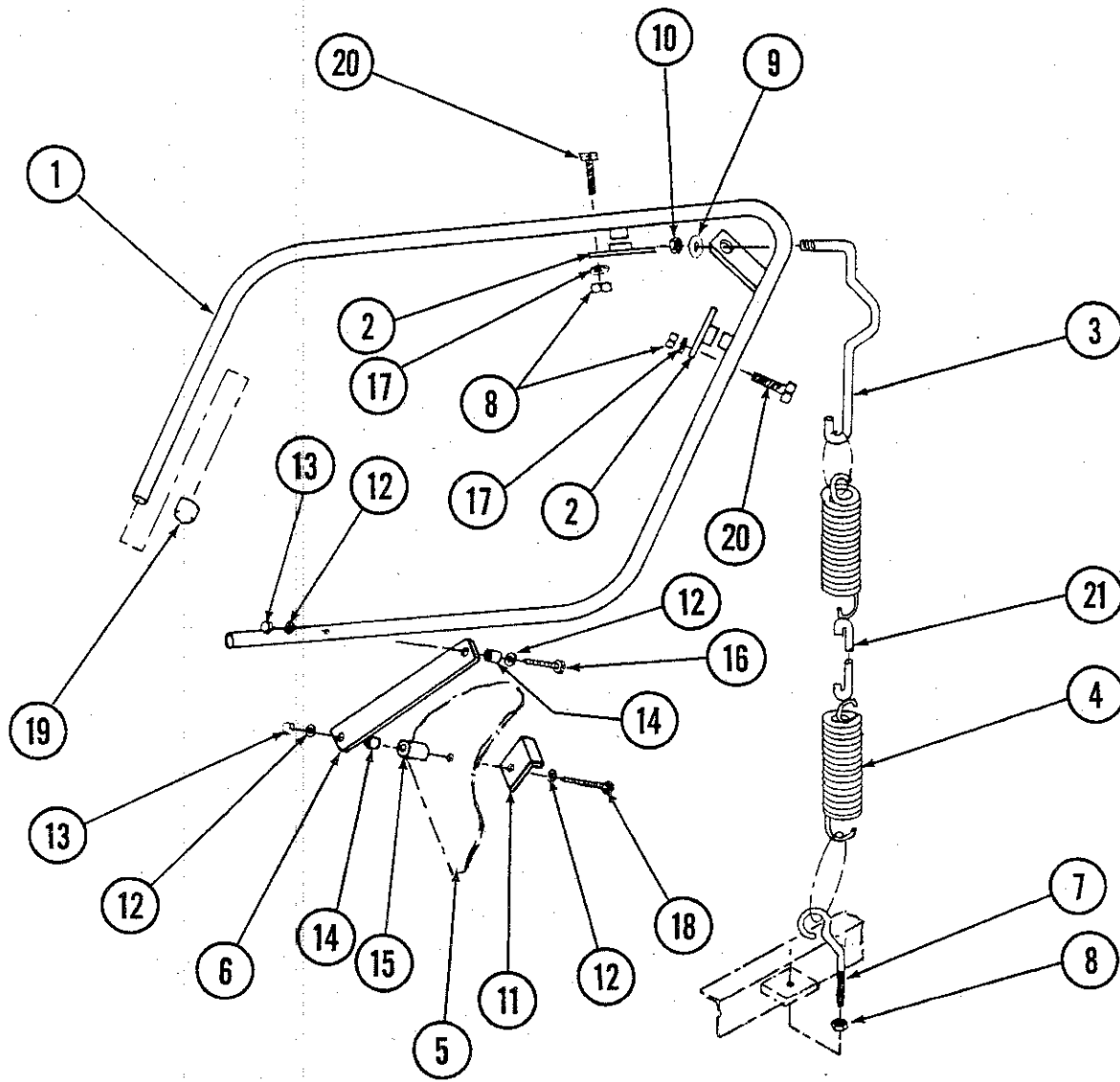
ITEM NO.	NO. REQ'D	DESCRIPTION
11	1	P/N 01562.82 Scrap Trap Drawer (V)
12	1	P/N 01573.82 Sani Mount/Drain Lid (V)
13	1	P/N 01502.82 Stand/Pan (V)
14	1	P/N 01505.82 Tray Track (V)
15	1	P/N 01540.82 Wrapper Panel
16	4	P/N 00636.82 EZ Glide Door Guide Plastic
17	2	P/N 13706.00 Door Seal Gasket
18	1	P/N 01582.00 Tray Track Guide
19	4	P/N 01572.82 Legs (VA - CVA)

VA DOOR ACTUATOR ASSEMBLY



ITEM NO.	NO. REQ'D	DESCRIPTION
1	1	P/N 00613.82 Door Handle (V-AH)
2	1	P/N 01556.00 Door Handle Support (Right)
3	2	P/N 00603.07 Door Spring Extension Rod
4	2	P/N 00602.00 Door Spring
5	2	P/N 01506.82 Door (V)
6	2	P/N 01553.00 Door Handle Link
7	2	P/N 00606.00 5/16" - 18 x 7" Eyebolt
8	2	P/N 00913.00 5/16" - 18 Nut
9	2	P/N 00926.00 5/16" SS Washer
10	2	P/N 00900.00 Cotter Pin

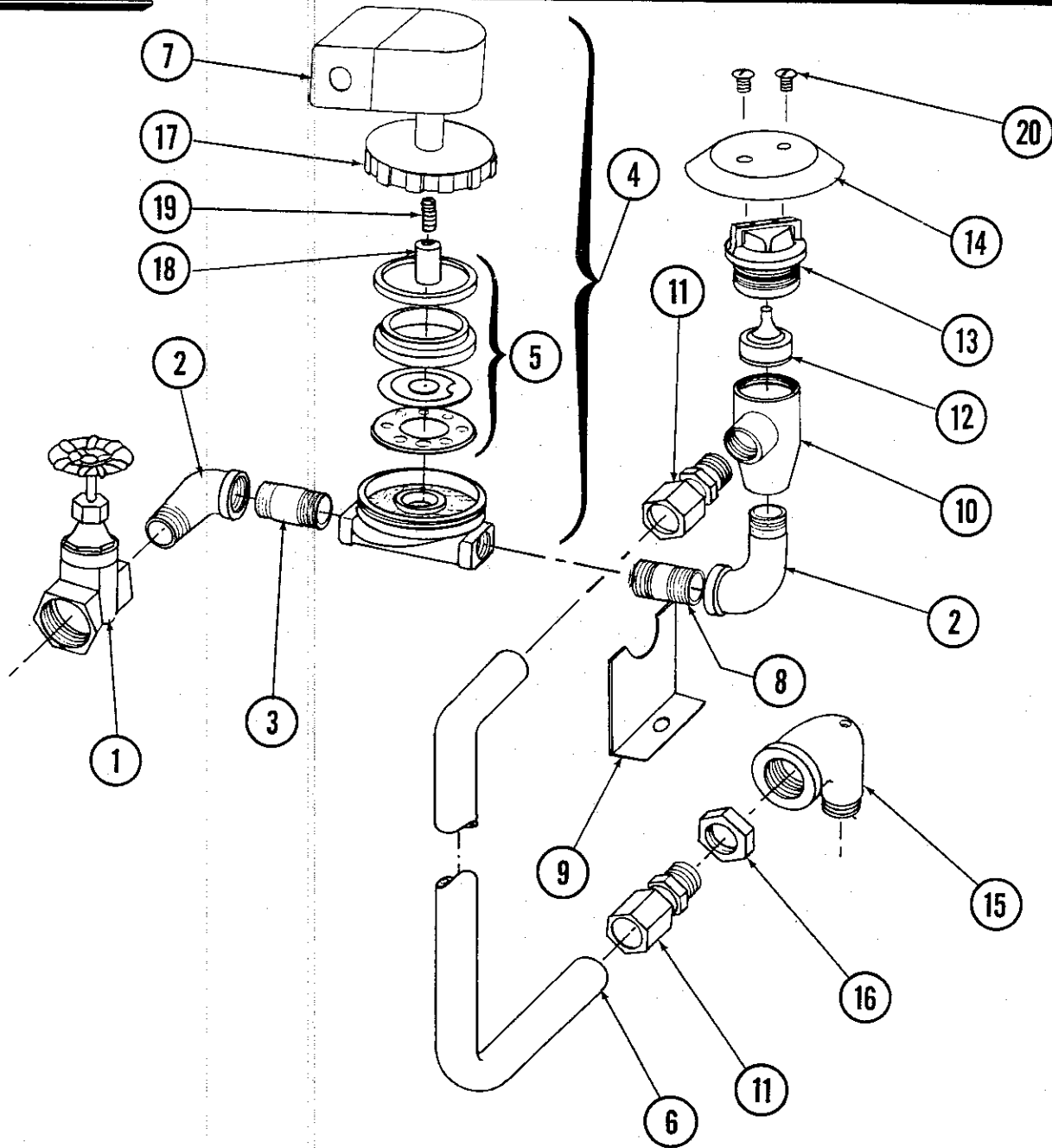
ITEM NO.	NO. REQ'D	DESCRIPTION
11	4	P/N 00906.00 1/4" - 20 x 1/2" Hex Head Screw
12	6	P/N 00924.00 1/4" SS Washer
13	4	P/N 00912.00 1/4" - 20 Nylon Insert Locknut
14	4	P/N 00610.00 Door Handle Spacer (Small)
15	4	P/N 00611.00 Door Handle Spacer (Large)
16	2	P/N 00910.00 1/4" - 20 x 1-1/2" Hex Bolt
17	1	P/N 01555.00 Door Handle Support (Left)
18	2	P/N 00903.00 1/4" - 20 x 1-3/4" Hex Head Bolt
19	4	P/N 00912.00 1/4" - 20 Nylon Insert Lock Nut
20	2	P/N 00607.07 Door Handle Cap
21	2	P/N 01552.00 Door Stop



ITEM NO.	NO. REQ'D	DESCRIPTION
1	1	P/N 00613.84 Door Handle (C-VA)
2	1	P/N 00619.34 Door Handle Mounting Plate - Long
3	1	P/N 00603.84 Extension Rod (C-VA)
4	2	P/N 00602.00 Door Spring
5	2	P/N 01506.82 Door (V)
6	2	P/N 01553.00 Door Handle Link
7	1	P/N 00606.82 5/16" - 18 x 7" Eyebolt CVA (Angled)
8	9	P/N 00913.00 5/16" - 18 Nut
9	9	P/N 00926.00 5/16" SS Washer
10	1	P/N 13805.00 5/16" - 18 Nylon Insert Lock Nut

ITEM NO.	NO. REQ'D	DESCRIPTION
11	2	P/N 01552.00 Door Stop
12	6	P/N 00924.00 1/4" SS Washer
13	4	P/N 00912.00 1/4" - 20 Nylon Insert Locknut
14	4	P/N 00610.00 Door Handle Spacer (Small)
15	4	P/N 00611.00 Door Spacer (Large)
16	2	P/N 00903.00 1/4" - 20 x 1-3/4" Hex Head Bolt
17	8	P/N 00926.00 5/16" SS Washer
18	2	P/N 00903.00 1/4" - 20 x 1-3/4" Hex Head Screw
19	2	P/N 00607.04 Door Handle Cap
20	8	P/N 00920.00 5/16" - 18 x 3/4" Hex Head Bolt
21	1	P/N 00604.84 Door Extension Link

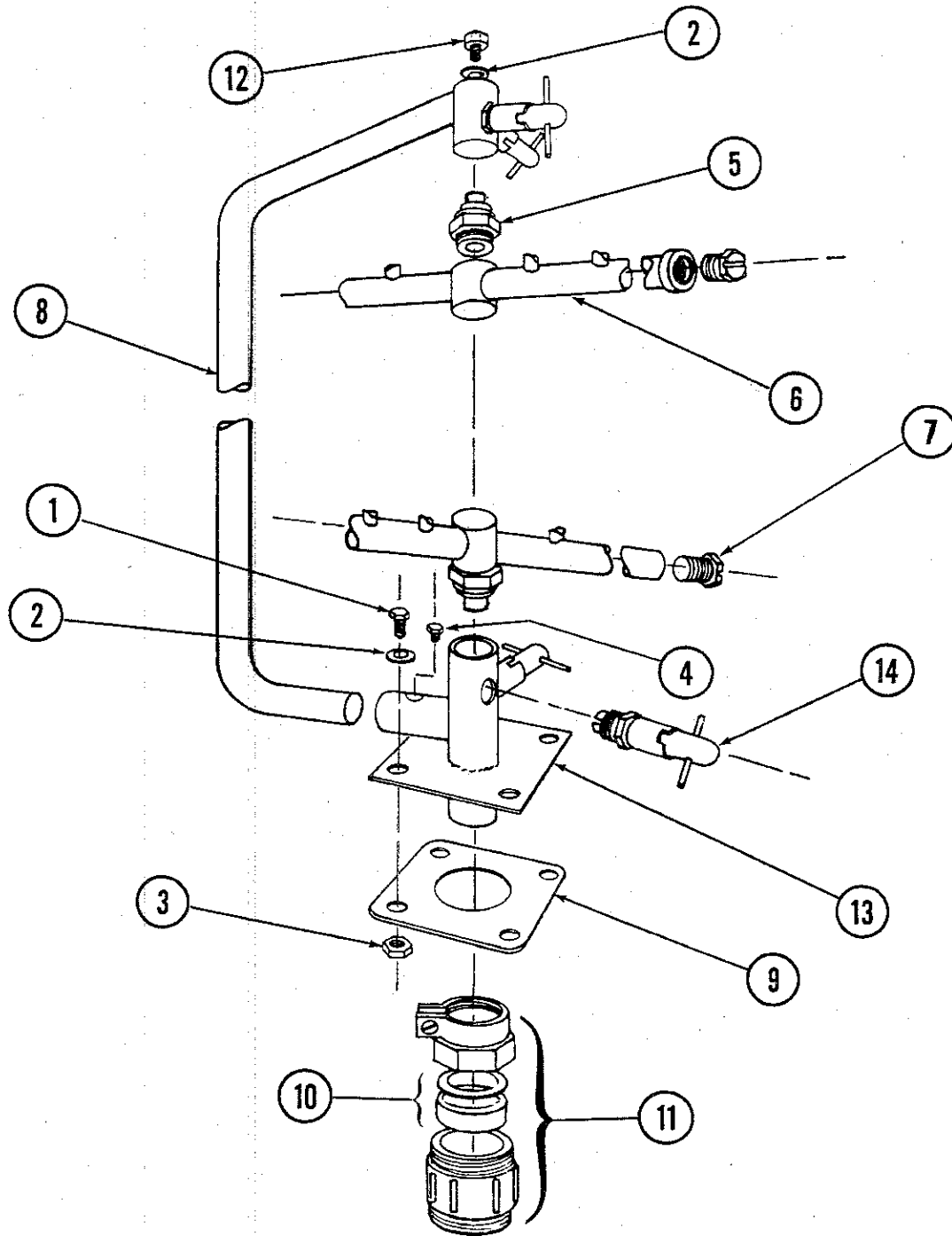
PLUMBING SYSTEM ASSEMBLY



ITEM NO.	NO. REQ'D	DESCRIPTION
1	1	P/N 03600.00 1/2" Cate Valve
2	2	P/N 00745.00 1/2" Street Elbow
3	1	P/N 00747.00 1/2" x 4-1/2" Nipple
4	1	P/N 03603.50 1/2" Water Solenoid Assembly J/E
5	1	P/N 00707.00 1/2" Water Solenoid Repair Kit
6	1	P/N 00796.82 Flush Tube (V)
7	1	P/N 00738.10 Water Solenoid Coil
8	1	P/N 00742.00 1/2" x 1-1/2" Brass Nipple
9	2	P/N 01525.00 Plumbing Support Bracket
10	1	P/N 03624.00 1/2" Vacuum Breaker Assembly Watts

ITEM NO.	NO. REQ'D	DESCRIPTION
11	2	P/N 00760.00 5/8" Comp. x 1/2" MIP Adapter
12	1	P/N 03623.00 1/2" Vacuum Breaker Repair Kit
13	1	P/N 03624.10 1/2" Vacuum Breaker Bonnet Plastic
14	1	P/N 00739.50 Vacuum Breaker Cap SS
15	1	P/N 00745.82 Water Inlet street Elbow (V)
16	1	P/N 00721.00 1/2" Jamb Nut
17	-	P/N 03603.20 1/2" Water Solenoid Bonnet
18	-	P/N 00786.00 Water Solenoid Valve Plunger w/Spring
19	-	P/N 00706.10 Valve Plunger Spring Only
20	-	P/N 00421.51 6 - 32 x 1/4" SS Pan Head Screw

SPRAY SYSTEM ASSEMBLY

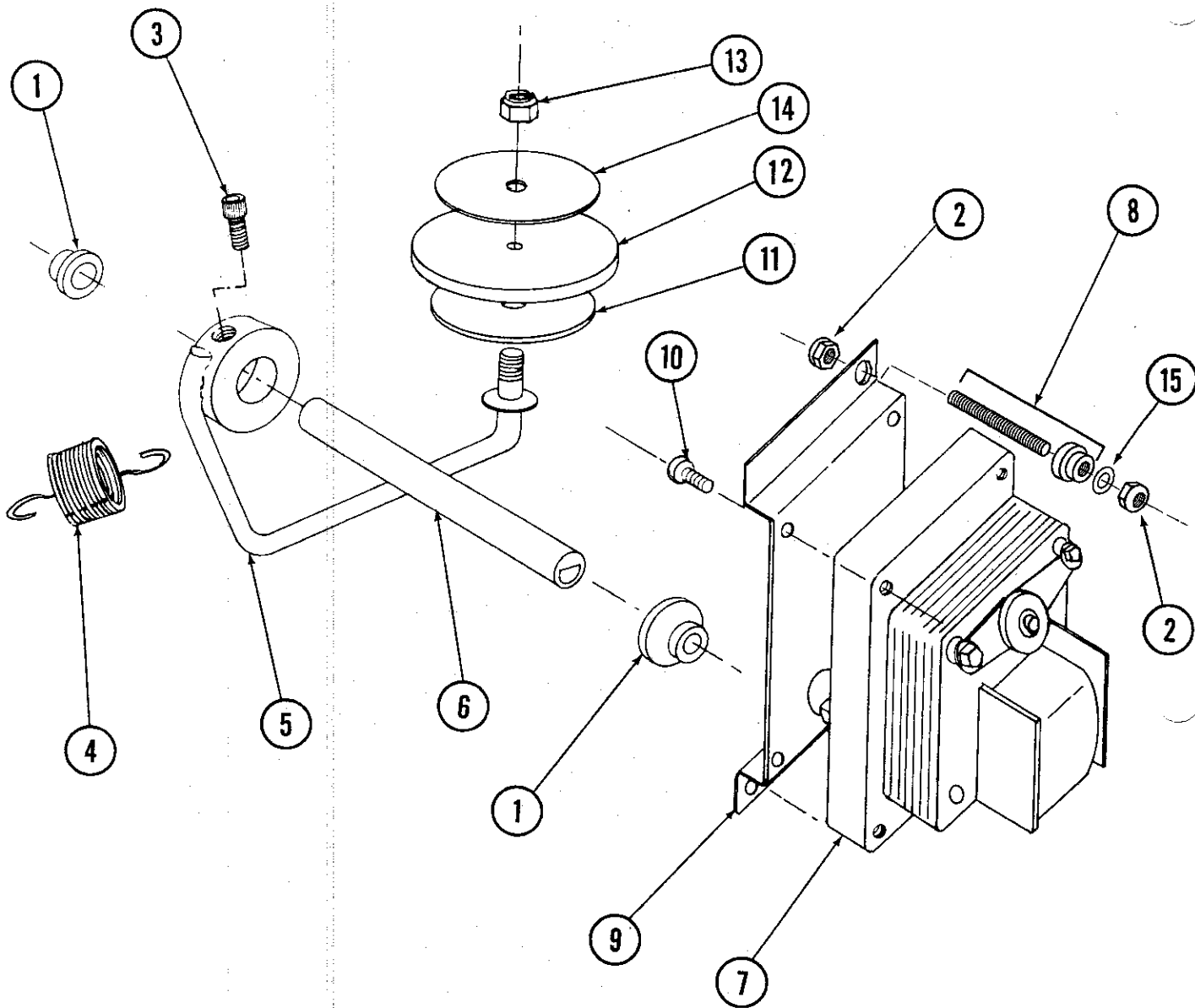


ITEM NO.	NO. REQ'D	DESCRIPTION
1	4	P/N 00914.00 1/4" - 20 x 3/4" Hex Head Bolt
2	5	P/N 00924.00 1/4" SS Washer
3	4	P/N 00912.00 1/4" - 20 Nylon Lock Nut
4	1	P/N 00966.10 10 - 32 x 1/4" Hex Head SS Bolt
5	2	P/N 00341.00 Spray Arm Bearing
6	2	P/N 00304.06 A/C Spray Arm
7	4	P/N 00308.50 Spray Arm End Plug
*8	1	P/N 00305.83 Spray Manifold VA (New)

ITEM NO.	NO. REQ'D	DESCRIPTION
9	1	P/N 04306.00 Square Manifold Gasket
10	1	P/N 00225.00 1" Compression Gasket
*11	1	P/N 00221.00 1" Compression Fitting
12	1	P/N 00905.82 1/4" - 20 x 3/8" Truss Head Bolt
*13	1	P/N 00360.84 Lower VA Spray Base (New)
14	4	P/N 00363.00 Spray Base Lock Pin

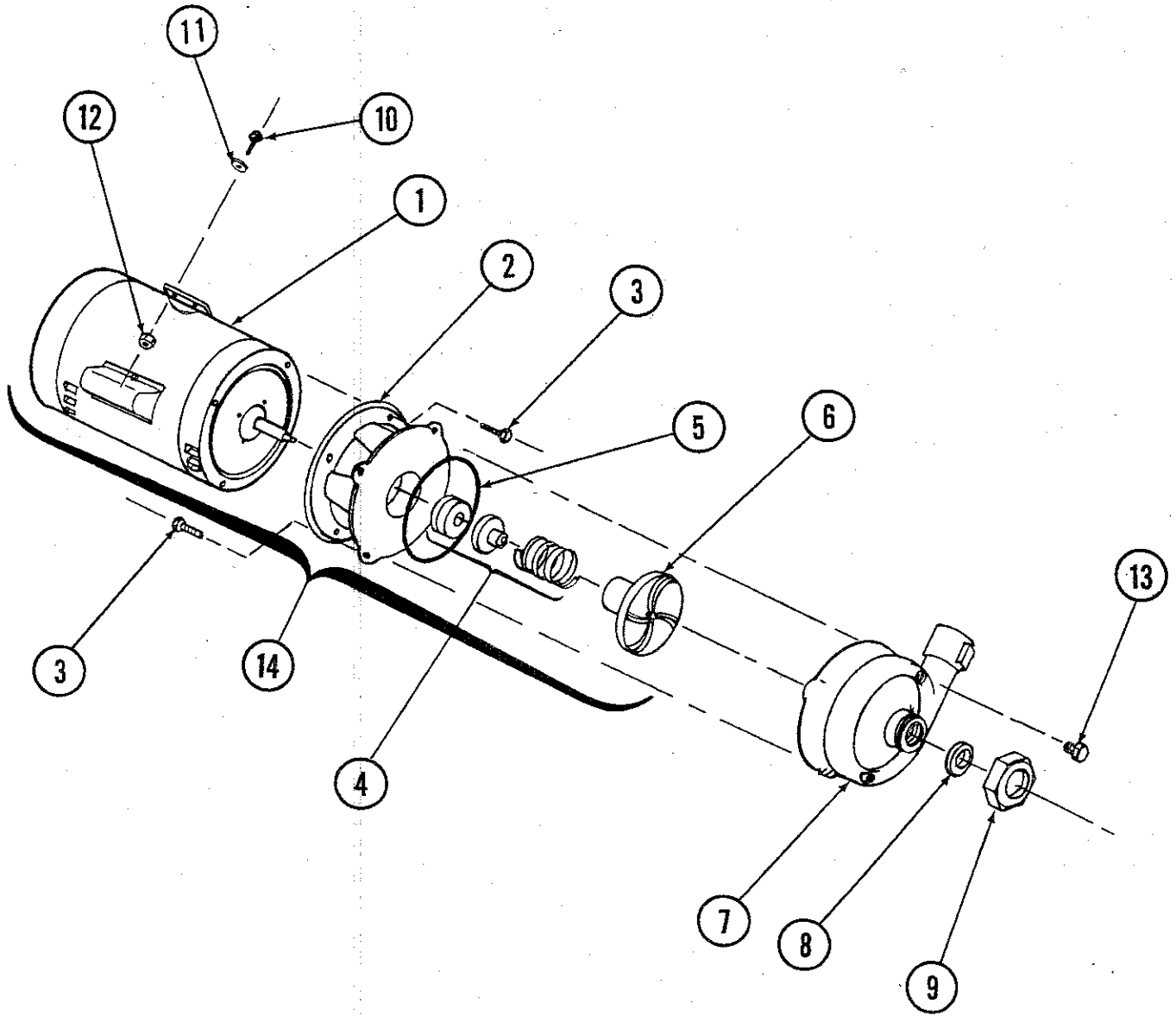
* Item #8 includes 2 pcs. of Item #14
 * Item #13 includes 2 pcs. of Item #14
 * Item #11 includes Item #10

POWER DRAIN ASSEMBLY



ITEM NO.	NO. REQ'D	DESCRIPTION
1	2	P/N 00938.82 1/2" Drain Bushing Brass (V)
2	4	P/N 03801.00 10 - 32 Lock Nut
3	1	P/N 00906.82 1/4" - 20 x 5/8" Socket Head Screw
4	1	P/N 00105.82 Drain Spring (V)
5	1	P/N 00108.82 Drain Actuator Arm (V)
6	1	P/N 00109.82 Drain Actuator Shaft (V)
7	1	P/N 00104.82 Drain Motor (V)

ITEM NO.	NO. REQ'D	DESCRIPTION
8	2	P/N 00109.40 Shoulder Nut SS
9	1	P/N 01511.84 Drain Motor Bracket - 3rd Generation
10	2	P/N 00941.00 10 - 32 x 5/8" Panhead Screw
11	1	P/N 01520.82 Diaphragm Support Disc 1-1/8"
12	1	P/N 00121.60 Drain Diaphragm
13	1	P/N 00912.00 1/4" - 20 Nylon Lock Nut
14	1	P/N 01521.82 Diaphragm Support Disc 2"
15	2	P/N 04806.00 #10 Brass Washer

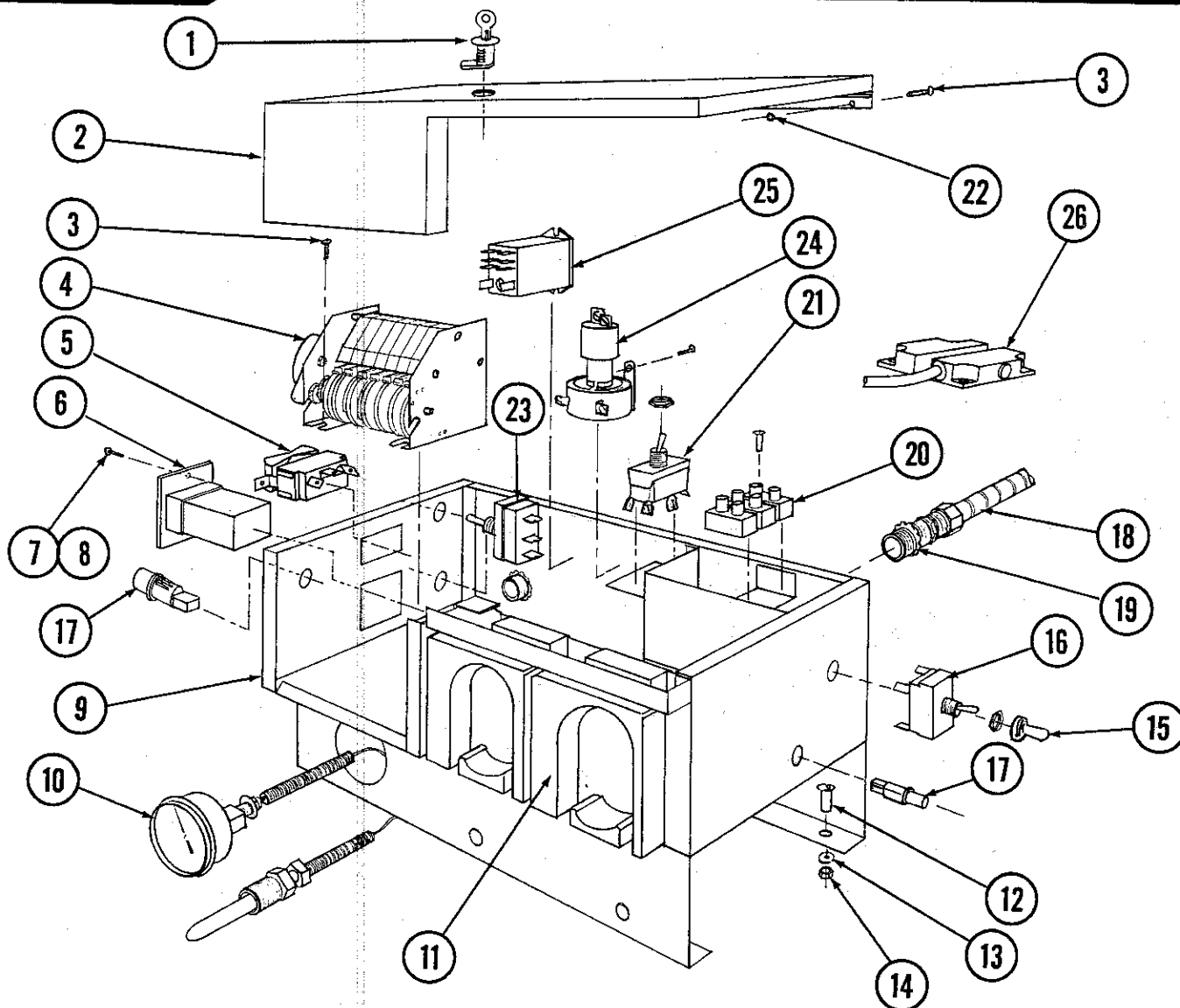


ITEM NO.	NO. REQ'D	DESCRIPTION
1	1	P/N 00201.00 Pump Motor 1 HP
2	1	P/N 03224.00 Small Pump Base
3	8	P/N 00921.00 3/8" - 16 x 3/4" Hex Head Bolt
4	1	P/N 00206.00 Pump Seal Kit
5	1	P/N 03226.00 Pump "O" Ring
6	1	P/N 03222.05 Impeller
7	1	P/N 04206.00 Pump Cover (Small)

ITEM NO.	NO. REQ'D	DESCRIPTION
8	1	P/N 00208.00 Slip Joint Nut Gasket
9	1	P/N 04204.00 Compression Nut (2.5)
10	2	P/N 00906.00 1/4" - 20 x 1/2" Hex Bolt
11	2	P/N 00924.00 1/4" SS Washer
12	2	P/N 00912.00 1/4" - 20 Nylon Lock Nut
13	2	P/N 00238.00 3/8" Male Plug
14	Assy.	P/N 00200.10 Pump Assy.

NOTE: * P/N 00200.10 Includes Items 1, 2, 3, 4, 5, and 6.

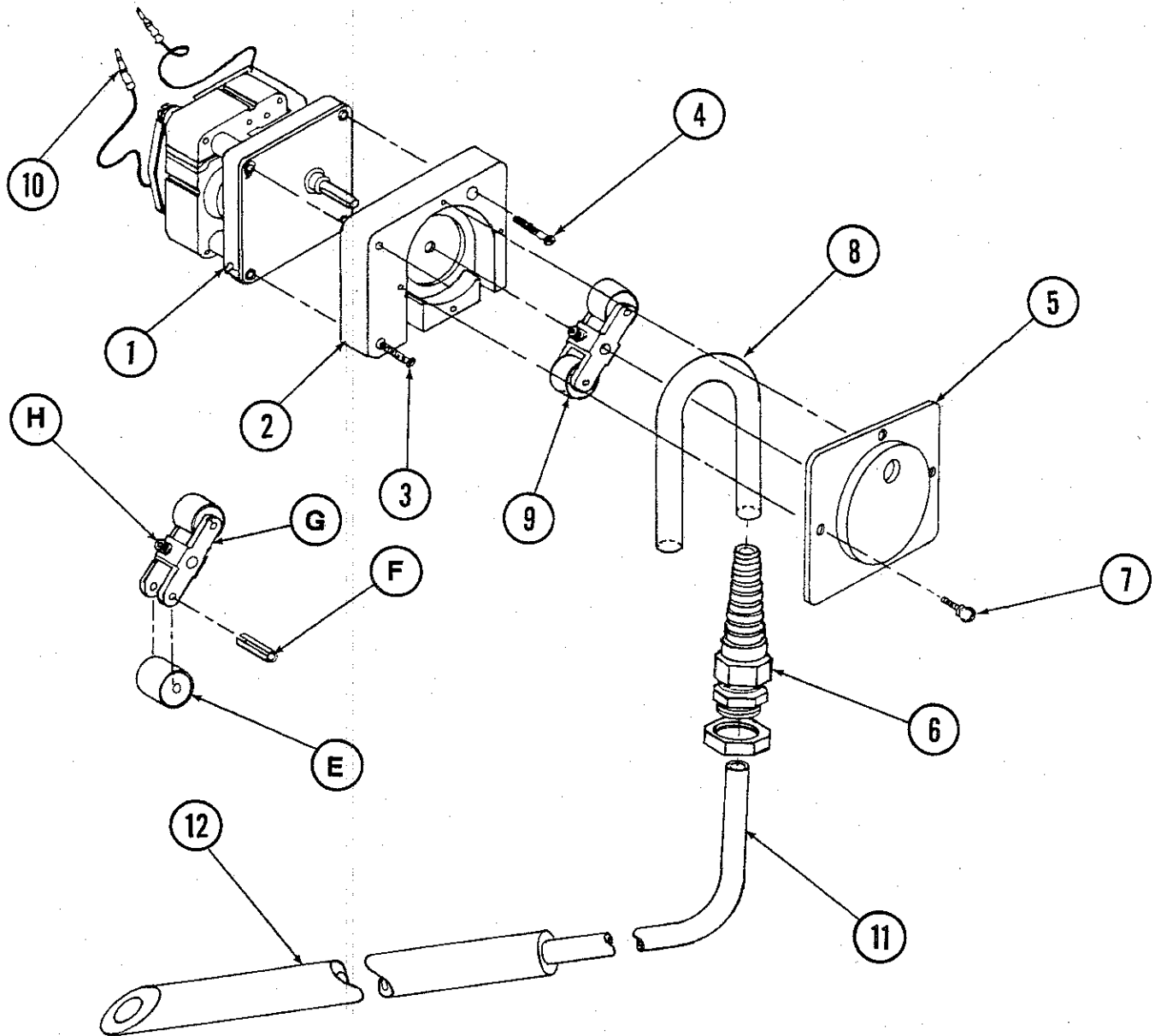
CONTROL BOX ASSEMBLY



ITEM NO.	NO. REQ'D	DESCRIPTION
1	1	P/N 00449.00 Lock and Key
2	1	P/N 01504.82 Control Box Lid (V)
3	5	P/N 00911.50 8 - 32 x 3/8" Pan Head Screw
4	1	P/N 00407.00 90 Second Timer
5	1	P/N 00421.50 Rocker Start/Fill Switch
6	1	P/N 03408.50 Counter (Face Mount)
7	4	P/N 00907.00 6 - 32 x 1/2" SS Panhead Screw
8	4	P/N 00917.00 8 - 32 PM Nut
9	1	P/N 01503.82 Control Box Body (V)
10	1	P/N 03202.00 Thermometer
*11	3	P/N 00415.00 Peristaltic Pump Assembly
12	4	P/N 00906.00 1/2" - 20 x 1/2" Hexhead Bolt
13	4	P/N 00924.00 1/4" SS Washer
14	4	P/N 00912.00 1/4" - 20 Nylon Lock Nut

ITEM NO.	NO. REQ'D	DESCRIPTION
15	1	P/N 00470.10 Toggle Switch Boot
16	1	P/N 00471.10 Toggle Switch Off/On 20 Amp
17	2	P/N 00406.00 Control Box Light (120V, 60HZ)
18	as req'd	P/N 00400.00 3/8" Sealtite Conduit
19	3	P/N 00401.00 ST - 3/8" Connector
20	1	P/N 00454.10 3 Pole Socket Terminal Block
21	1	P/N 00475.00 Toggle Switch (15A)
22	3	P/N 00927.00 8 - 32 Nylon Lock Nut
23	2	P/N 03470.00 Toggle Switch
24	1	P/N 00404.00 Mercury Relay (Single)
25	1	P/N 00631.00 Ice Cube Relay
26	1	P/N 00557.50 Reed Switch
-	1	P/N 00414.82 Wiring Harness (V)

* See Page 12 for Details

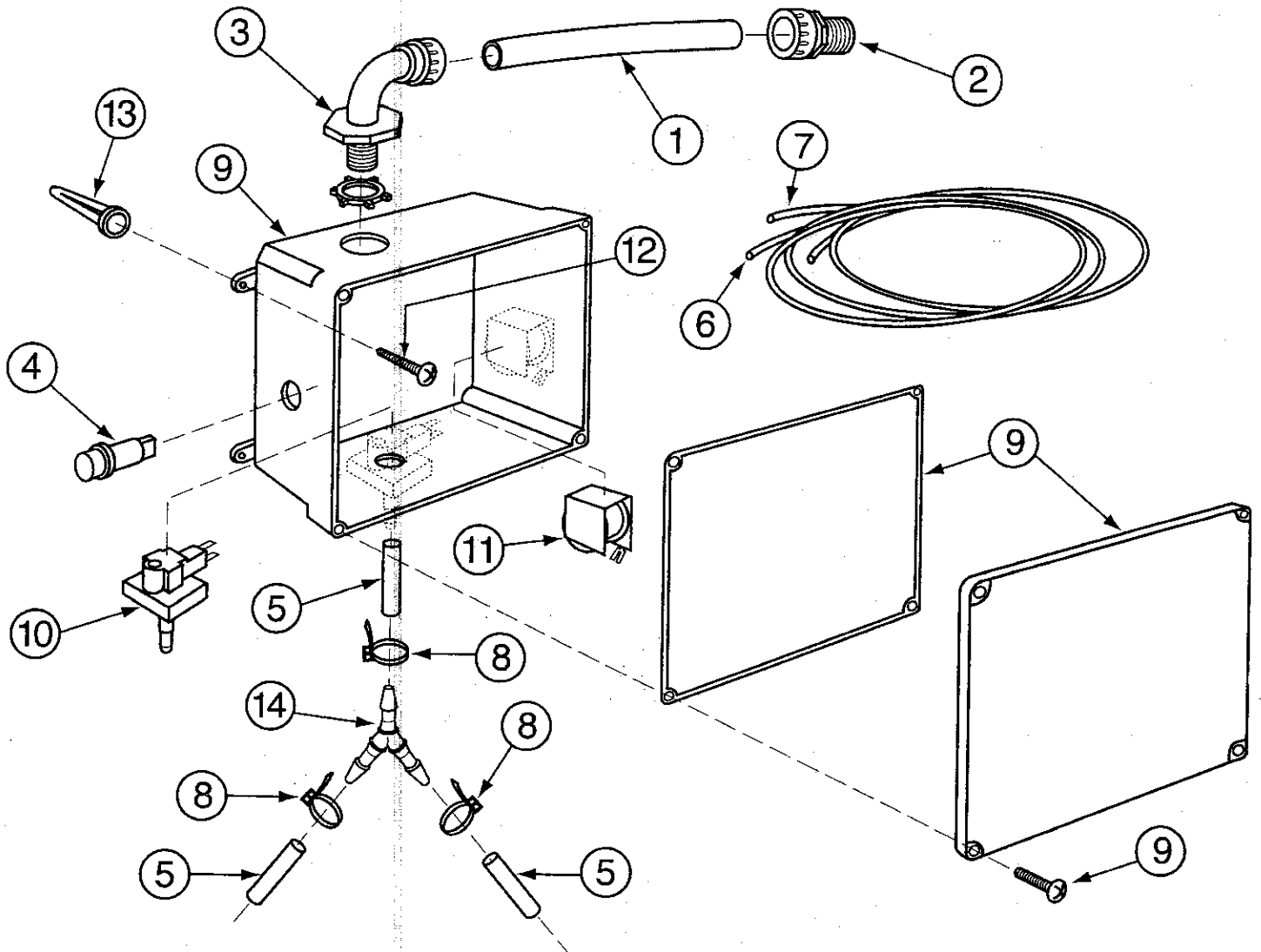


ITEM NO.	NO. REQ'D	DESCRIPTION
1	1	P/N 00416.00 Peristaltic Pump Motor
2	1	P/N 00417.00 Peristaltic Pump Block
3	2	P/N 00919.00 10 - 32 x 1-1/2" Pan Head Screw
4	1	P/N 00918.00 10 - 32 x 1-1/2" Fillister Head Screw
5	1	P/N 00418.00 Peristaltic Pump Block Cover
6	1	P/N 03415.50 Flex-Tight Fitting
7	4	P/N 00973.00 8 - 32 x 1/2" Thumbscrew
8	1	P/N 00435.00 Squeeze Tube
9	1	P/N 00419.00 2 Bearing Rotor Assembly

ITEM NO.	NO. REQ'D	DESCRIPTION
E	2	P/N 00423.00 Rotor Bearing
F	2	P/N 00422.00 Rotor Bearing Pin
G	1	P/N 00424.00 Rotor Bearing Carriage
H	1	P/N 00935.00 1/4" - 20 x 1/4" Allen Screw
10	2	P/N 00448.00 Barrel Connector (Male)
11	as req'd	P/N 00425.51 Chemical Tubing (blue)
11	as req'd	P/N 00425.53 Chemical Tubing (red)
11	as req'd	P/N 00425.54 Chemical Tubing (white)
12	1	P/N 00443.00 Tube Stiffener

OPTIONAL SANI ALARM

PART NUMBER 12508.00



ITEM NO.	NO. REQ'D	DESCRIPTION
1	3	P/N 00400.00 CONDUIT 3/8" SEALTITE
2	1	P/N 00401.00 ST. 3/8" STRAIGHT CONNECTOR
3	1	P/N 00402.00 ST. 90 DEGREE 3/8" CONNECTOR
4	1	P/N 00406.00 CONTROL BOX LIGHT .5" DIAMETER - RED
5	1	P/N 00435.00 SQUEEZE TUBE 8"
6	6	P/N 00521.00 WIRE 18" GAUGE ORANGE
7	6	P/N 00531.00 WIRE 18" GAUGE WHITE
8	5	P/N 00931.00 WIRE TIE SMALL
9	1	P/N 12510.00 SANITIZER ALARM BOX
10	1	P/N 12511.00 SANITIZER LOW LEVEL VACUUM SWITCH
11	1	P/N 12512.00 SANITIZER ALARM BUZZER 120V
12	4	P/N 40126.10 #10X3/4" SHEET METAL SCREW
13	4	P/N 40127.00 WALL ANCHORS
14	1	P/N 00426.00 Y HOSE CONNECTOR 3/16"

MODELS VA, CVA DISHMACHINES

