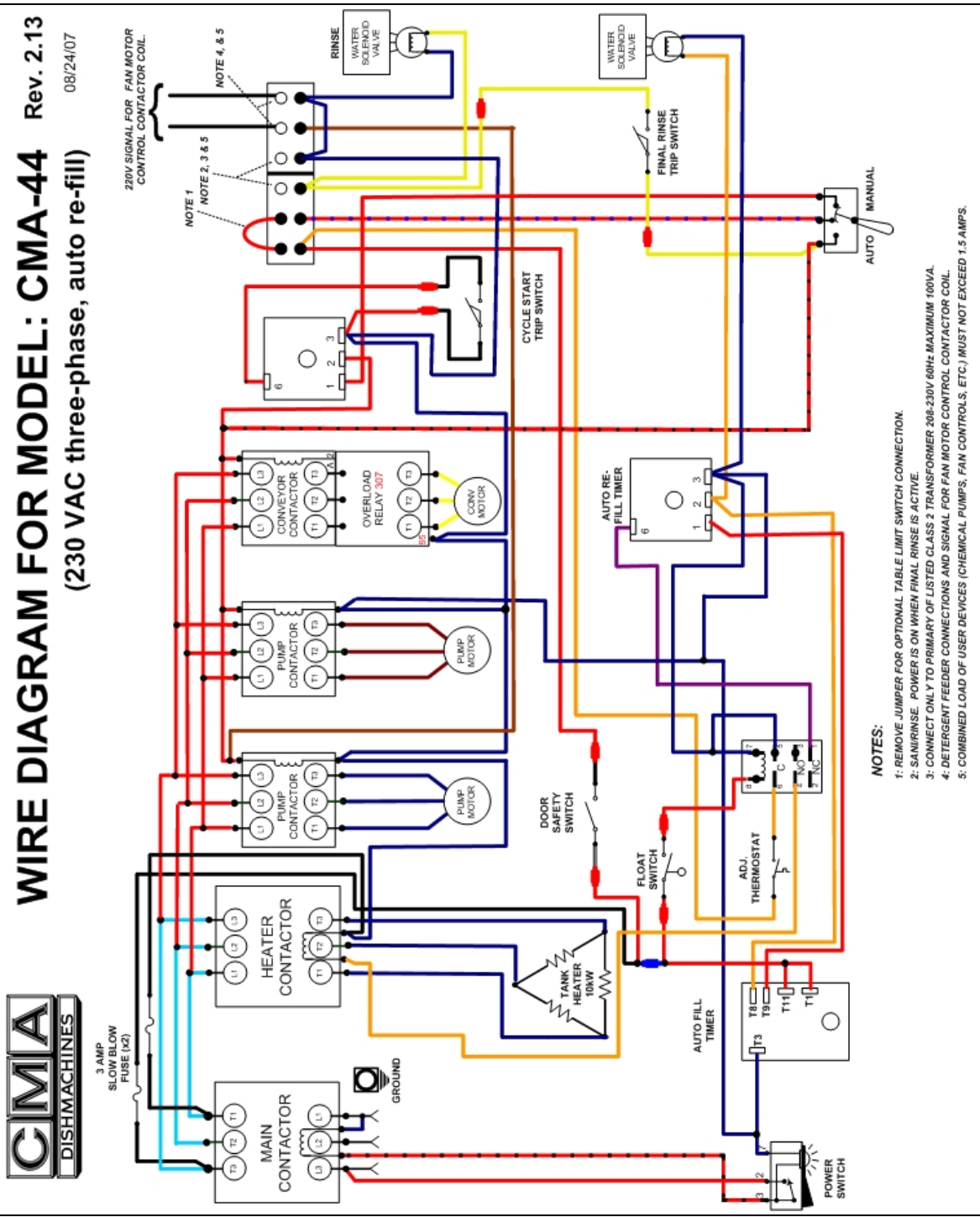
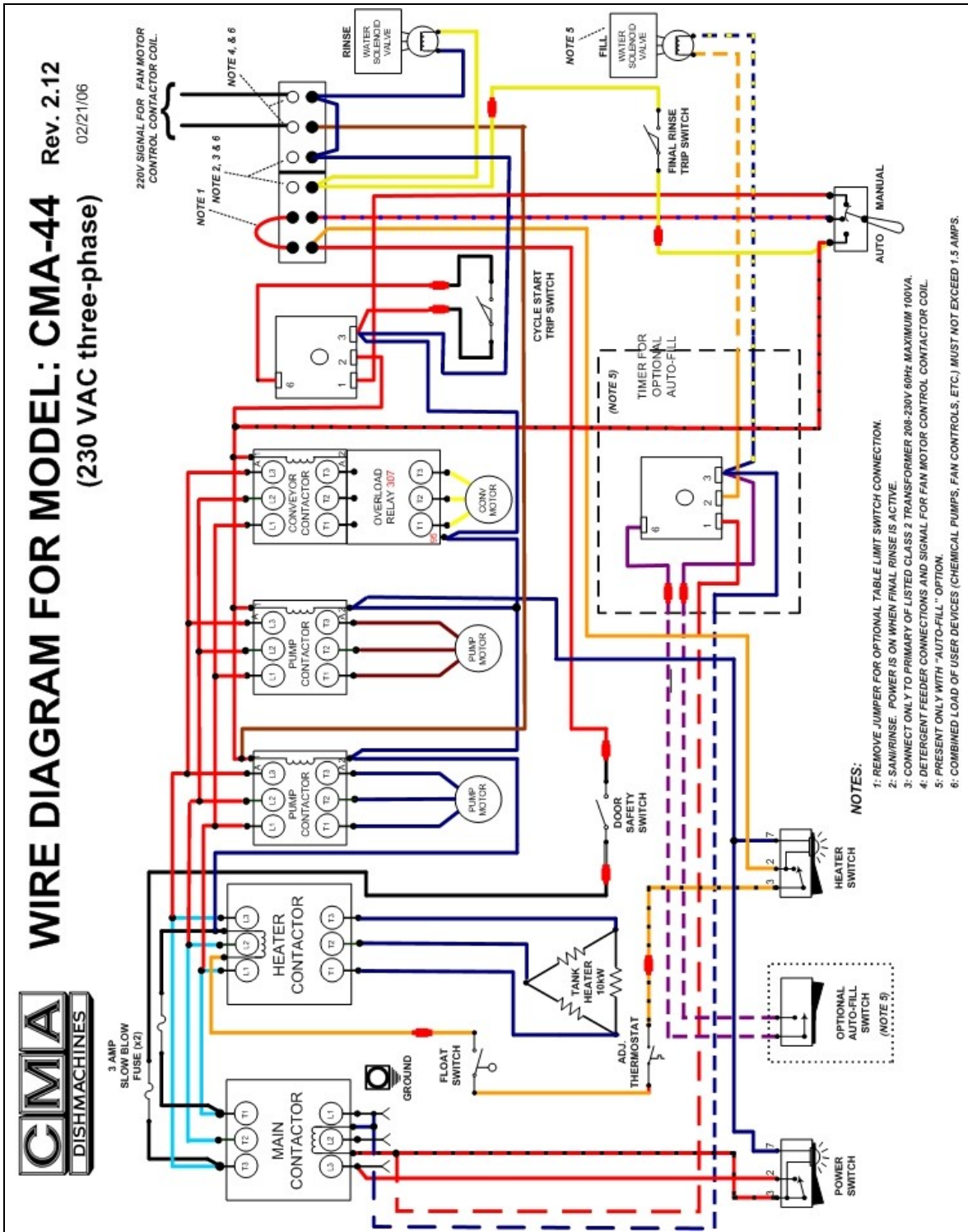


5. Electrical Diagram



6. Electrical Diagram (Old Models)



7. Electrical Diagram CMA-44 480/575/600 V

