

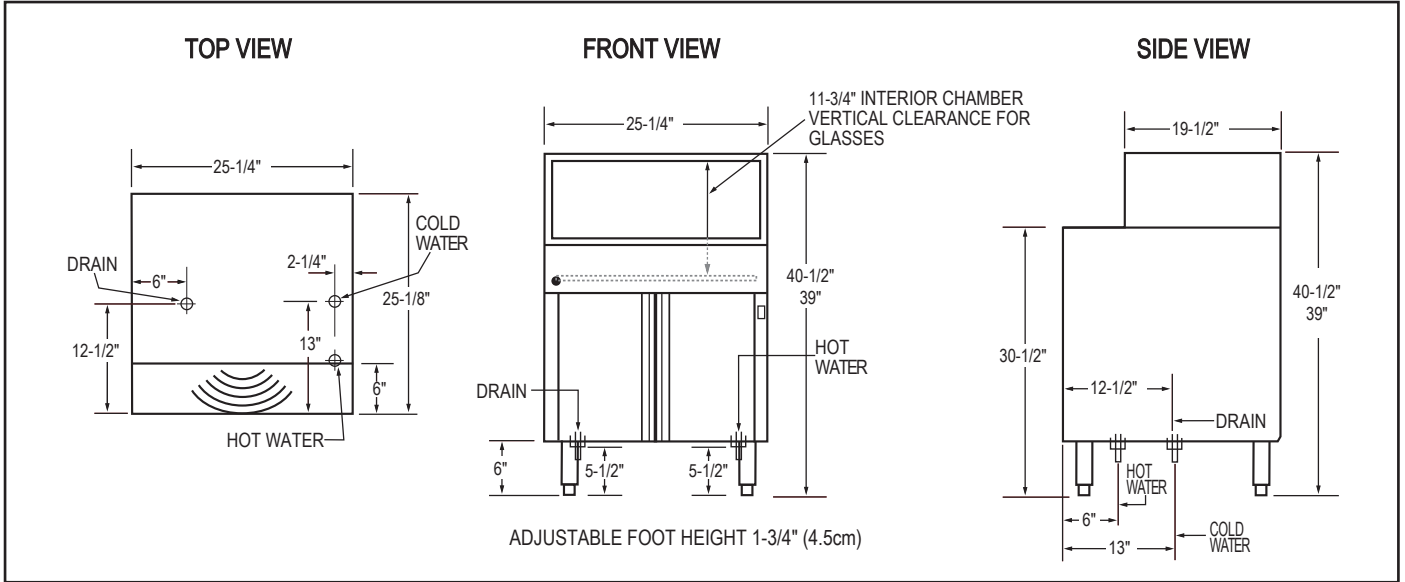


GW-100

Chemical Sanitizing Undercounter Glasswasher

WARNINGS:

- Plumbing connections must be made by a qualified service company who will comply with all available Federal, State, and Local Health, Plumbing and Safety codes.
- CMA recommends utilizing a water softening system to maintain water hardness measurements of 3.5 gpg (grains per gallon) or less. This will assure maximum results and optimum operation of the dishmachine.



Specifications:

| | USA | METRIC | | USA | METRIC |
|--|---------|------------|------------------------------------|--------------------------------|--------------|
| OPERATING CAPACITY (2-1/2") GLASSES PER HOUR | 1000 | 1000 | DIMENSIONS | 25-1/8" | (63.8cm) |
| OPERATING TEMPERATURES | | | | 25-1/4" | (64.1cm) |
| INLET WATER. (HOT) RECOMMENDED | 140°F | (60°C) | DEPTH | 39"-40-1/2" | (99-102.8cm) |
| INLET WATER. (COLD) | 75°F | (24°C) | WIDTH | 11-3/4" | (29.84cm) |
| WATER CONSUMPTION | | | ELECTRICAL RATING | VOLTS | AMPS |
| HOT WATER (INITIAL FILL) | 3 GAL | (11.25 L) | GW-100 | 120/60/1 | 14.4 |
| HOT WATER PER HOUR (MAX) | 12 GAL | (45.42 L) | TANK HEATER - GW-100 | 1.5kW | |
| COLD WATER PER MINUTE (APPROX) | 2.8 GPM | (10.6 LPM) | APPROXIMATE SHIPPING WEIGHT | 187# | (84.8kg) |
| WATER REQUIREMENTS | | | SHIPPING DIMENSIONS | PALLET & BOX @ 29" X 28" X 41" | |
| HOT WATER INLET | 1/2" | (1.27cm) | | | |
| COLD WATER INLET | 1/2" | (1.27cm) | | | |
| DRAIN (MAX) | 1-1/2" | (3.81cm) | | | |

Summary Specifications: Model GW-100

The GW-100 glasswasher is designed to produce sparkling clean glassware utilizing separate detergent, sanitizer and rinse aid chemical pumps. Standard features include upper and lower wash/rinse arms, wash tank heater, Poly Pro™ conveyor, splash curtains, double-walled construction, and storage space for three 1-gallon containers. The GW-100 is constructed for extended life out of stainless steel.

Advisory: CMA does NOT endorse "Tankless On-Demand" water heaters for use on CMA Dishmachine products. CMA DOES endorse, and highly recommends, the standard "tank" style water heaters, sized properly to handle each particular facility with their water heating requirements.



Intertek
3090590



Intertek
3090590

CMA MIZER
Registered Trademark

CMA Dishmachines 12700 Knott Street Garden Grove, CA 92841 • 800-854-6417 • 714-898-8781 • Fax: 714-895-2141 • www.cmadishmachines.com

CMA reserves the right to modify specifications or discontinue models without prior notification.

P/N: 10118.50

© 3-2020 CMA, Inc.

an Ali Group Company



The Spirit of Excellence