



MODEL UC 60e

PARTS MANUAL Rev 1.00A



ENERGY STAR



ENERGY STAR
PARTNER

DISTRIBUTED EXCLUSIVELY BY
CMA DISHMACHINES
12700 KNOTT AVENUE
GARDEN GROVE, CALIFORNIA 92841

800-854-6417

FAX 714-895-2141

www.cmadishmachines.com



TABLE OF CONTENTS

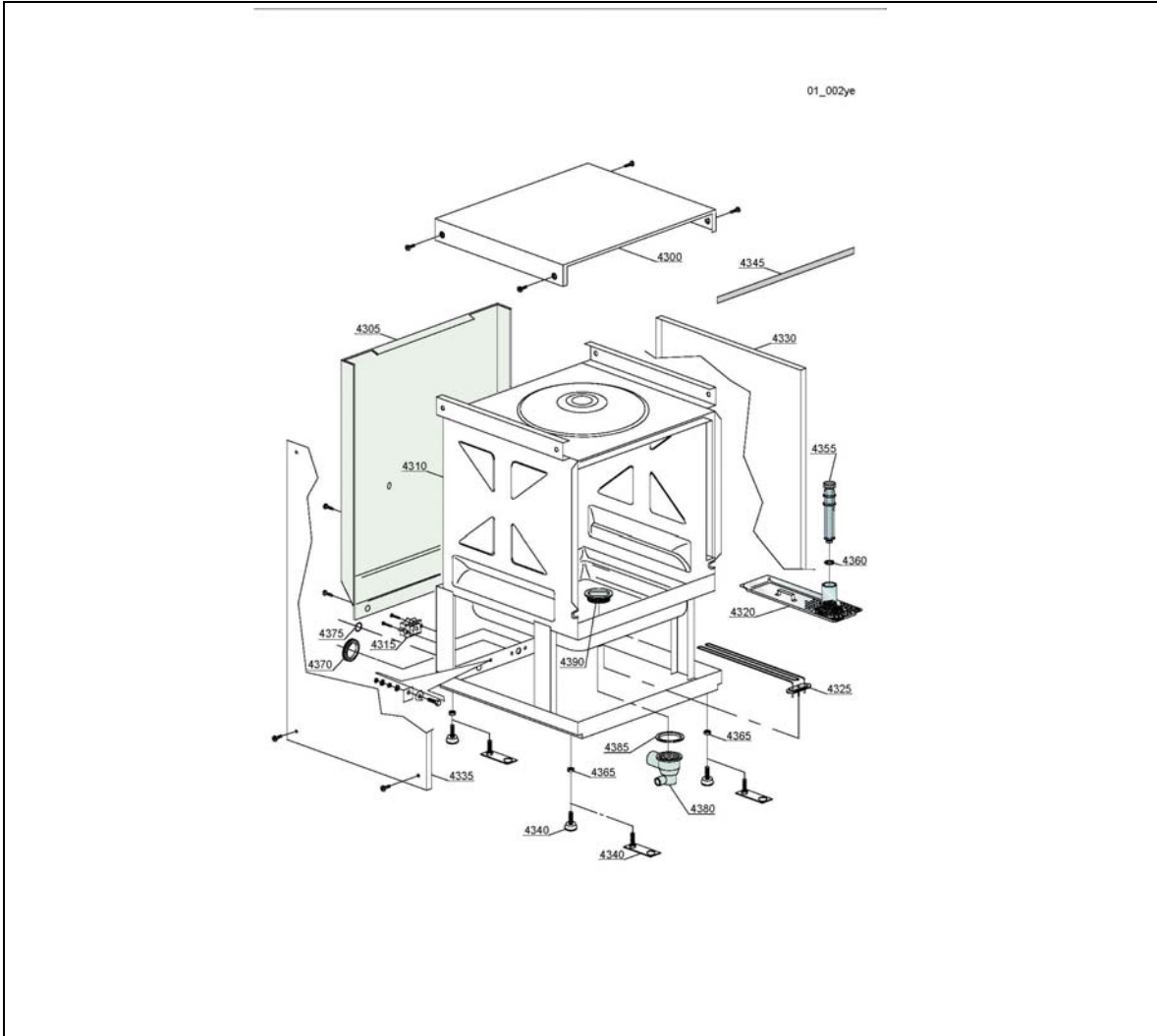
MODEL UC60e

1. PARTS MANUAL	3
1.1. MECHANICAL DRAWINGS.....	3
1.1.1. <i>General Body Parts</i>	3
1.1.2. <i>Lockup System</i>	4
1.1.3. <i>Command Electronic Control</i>	5
1.1.4. <i>Electric Control Components</i>	6
1.1.5. <i>Solenoid Valve Group</i>	7
1.1.6. <i>3 Ways Connection</i>	7
1.1.7. <i>Rinse With Steady Temperature</i>	8
1.1.8. <i>Booster Pump</i>	9
1.1.9. <i>Rinse Aid Dispenser Group</i>	10
1.1.10. <i>Detergent Dispenser Group</i>	11
1.1.11. <i>Boiler Group</i>	12
1.1.12. <i>Wash Pump</i>	13
1.1.13. <i>Drain pump Group</i>	14
1.1.14. <i>Pressure Switch Group</i>	14
1.1.15. <i>Turret Group</i>	15

1. Parts Manual

1.1. Mechanical Drawings

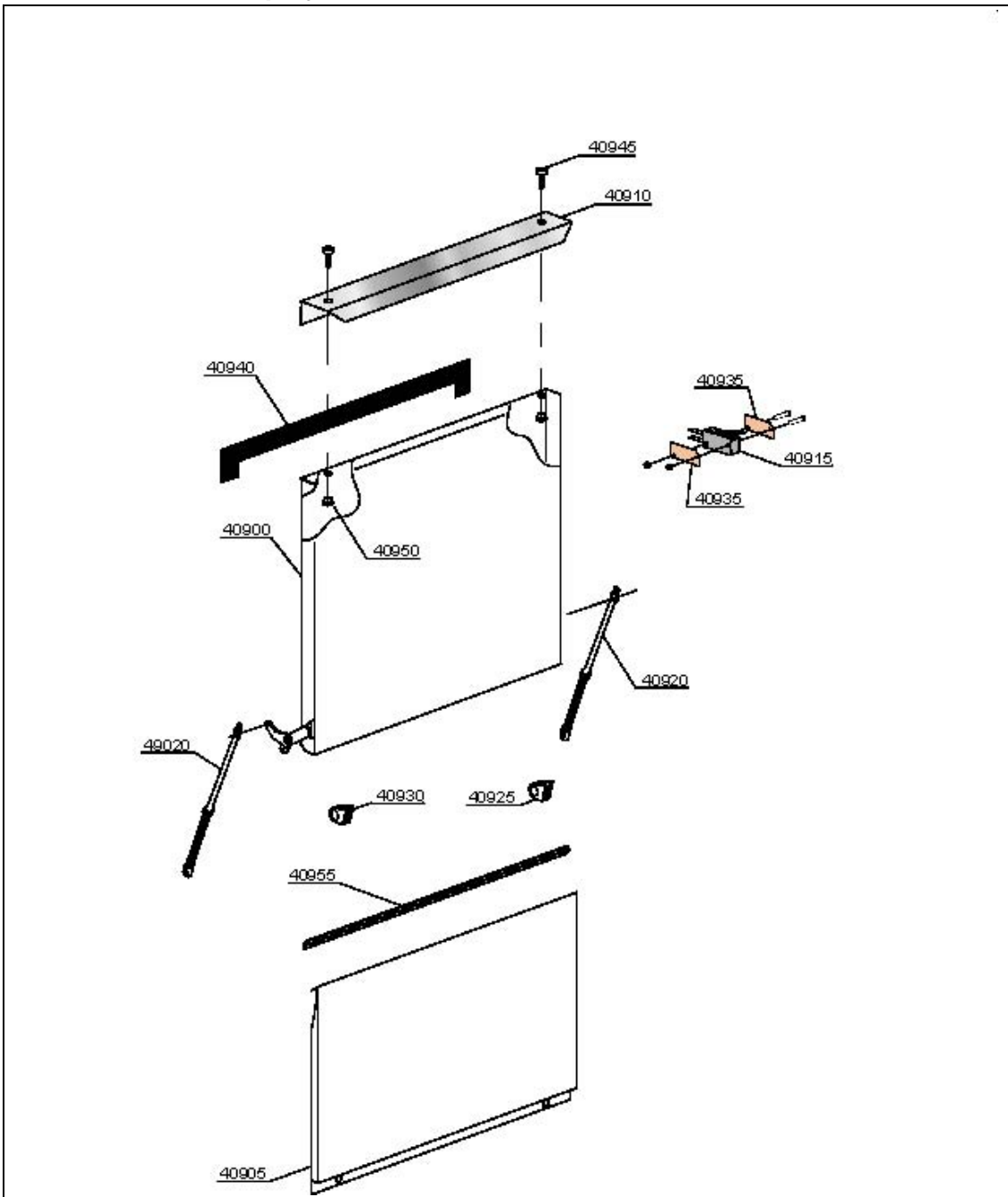
1.1.1. General Body Parts



ID	P- Code	DESCRIPTION
4300	560917	Cover
4305	560938	Back panel
4310	560900	Body
4315	15065/A	Cable-fastener with screw
4320	560925	Surface filter
4325	15188	2,7KW - 230V heating element
4330	560914	Right side
4335	560915	Left side
4340	10786	M10x25 040 black foot (minimum 4 pcs)

ID	P- Code	DESCRIPTION
4345	560021	Profile for door O-ring
4355	560020	Drain pump Overflow pipe
4360	13021	DEM 40 O-ring (minimum 2 pieces)
4365	11711	M10 zinc plated nut (minimum 20 pcs)
4370	13317	D.40mm unloading pipe (min 2 pcs)
4375	13323	D.13mm dosing pipe (minimum 2 pcs)
4380	500606	Right side scrap tray
4385	80208	D 95x75x3 O-ring
4390	500601	Right nut

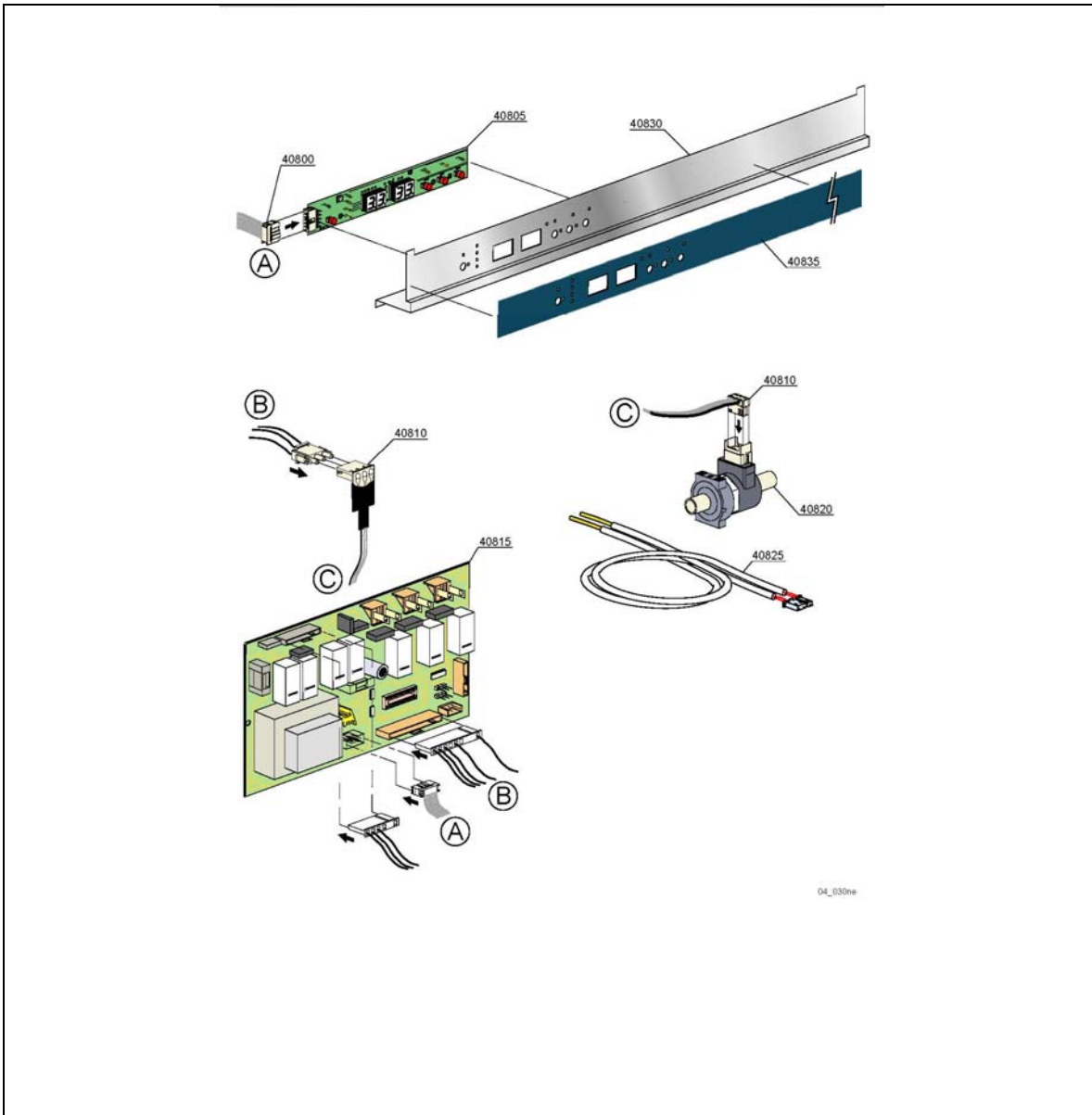
1.1.2. Lockup System



ID	P- Code	DESCRIPTION
40900	560963	Door with steel handle
40905	560920	Lower door
40910	560955	Neutral Stainless steel handle
40915	10704	Door microswitch
40920	570200	Door spring
40925	560006	Right lock for door hinge (min 2 pcs)

ID	P- Code	DESCRIPTION
40930	560007	Left lock for door hinge (min 2 pcs)
40935	10770	Insulation door micro switch (min 3 pcs)
40940	560021	Profile for door O-ring
40945	11220	M4xI4 TCB-CR Inox Screw
40950	11226	M4 Inox Plated nut
40955	560013	Profile for lower-door O-ring

1.1.3. Command Electronic Control

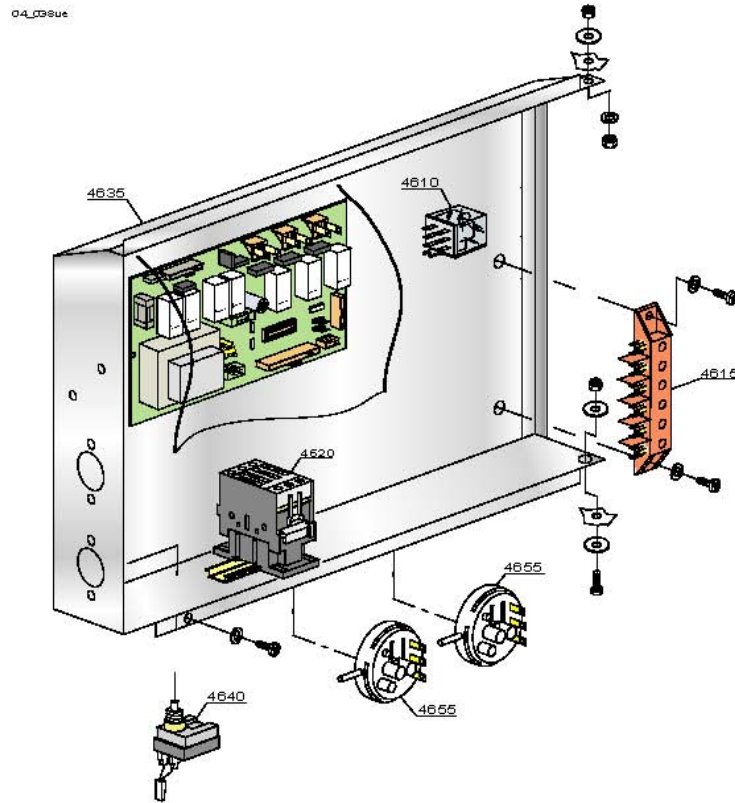


04_030ne

ID	P- Code	DESCRIPTION
40800	50582	Plug L=2300mm
40805	50581	Touch sensitive
40810	50584	Water float board
40815	50592	Electronic timer with main board

ID	P- Code	DESCRIPTION
40820	50583	Water flow meter for board
40825	50593	Temperature probe set
40830	560964	Control Panel
40835	560986	Silkscreen processed grill

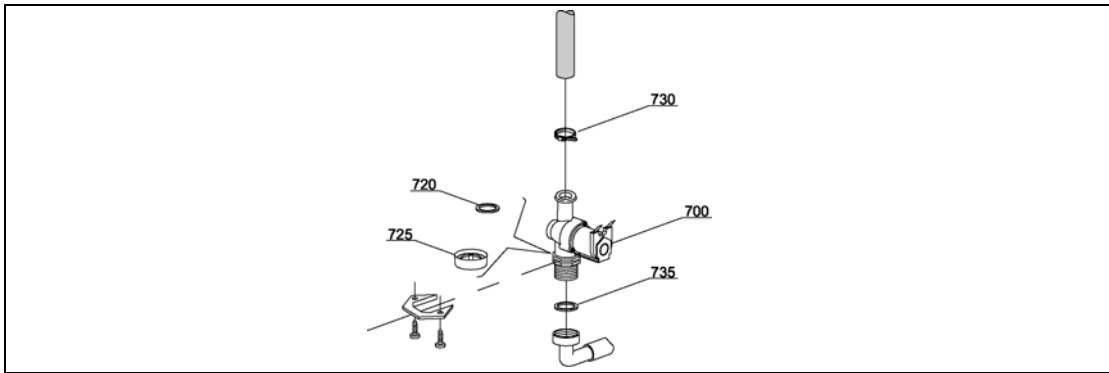
1.1.4. Electric Control Components



ID	P- Code	DESCRIPTION
4610	16047	16A tripolar relay - 230Vac 50/60Hz
4615	500551	6 poles terminal board
4620	10300052	36A/20A contactor 3NA 230Vac 50/60Hz

ID	P- Code	DESCRIPTION
4635	560921	Electric components panel
4640	2000430	Safety thermostat
4655	10706/A	47-27 "EL" Pressure switch

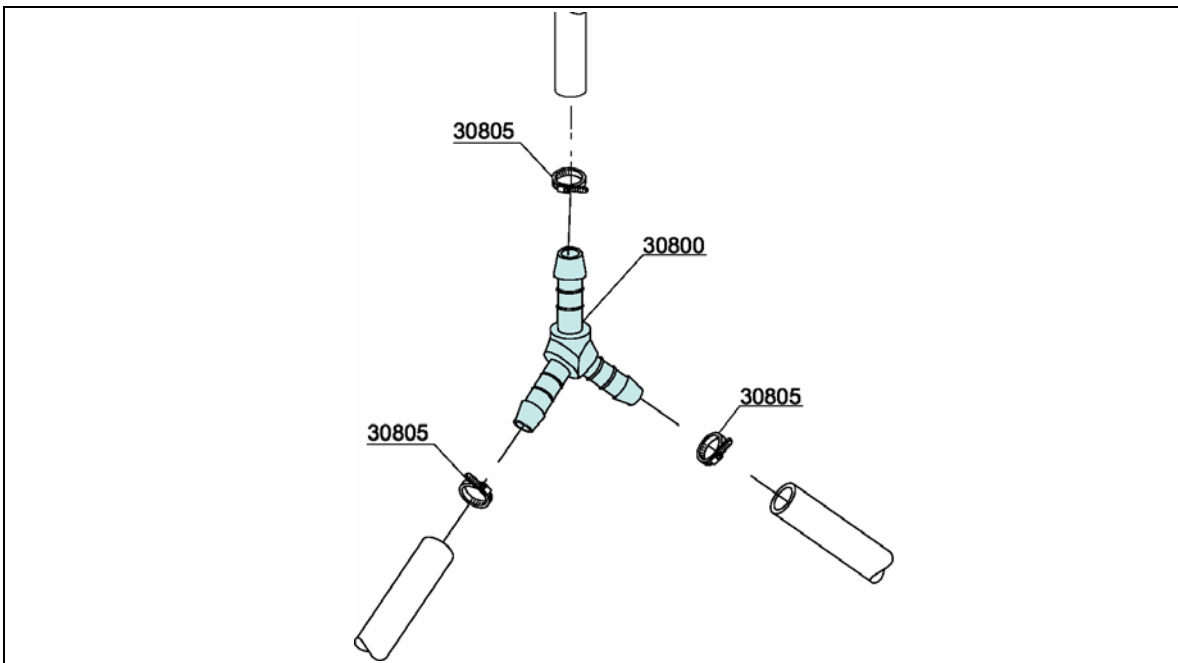
1.1.5. Solenoid Valve Group



ID	P- Code	DESCRIPTION
700	10703	Single solenoid valve - 230Vac
720	N.C.	Pressure reducing valve

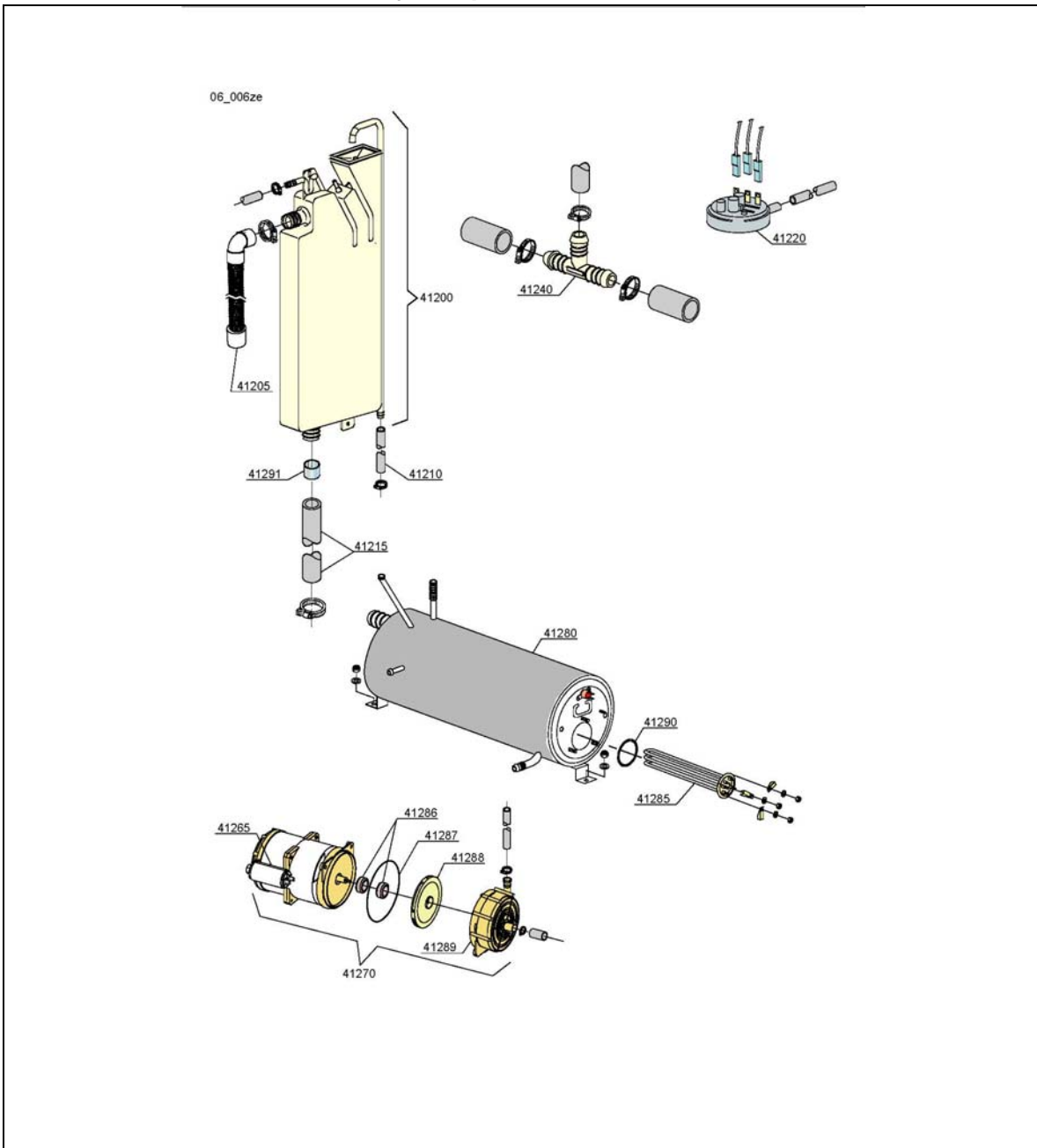
ID	P- Code	DESCRIPTION
730	11807	12/22 clamp (minimum 3 pieces)
735	13307	3/4 gasket

1.1.6. 3 Ways Connection



ID	P- Code	DESCRIPTION
30800	540091	012 mm plastic 3 ways connection
30805	11807	12/22 clamp (minimum 3 pieces)

1.1.7. Rinse With Steady Temperature

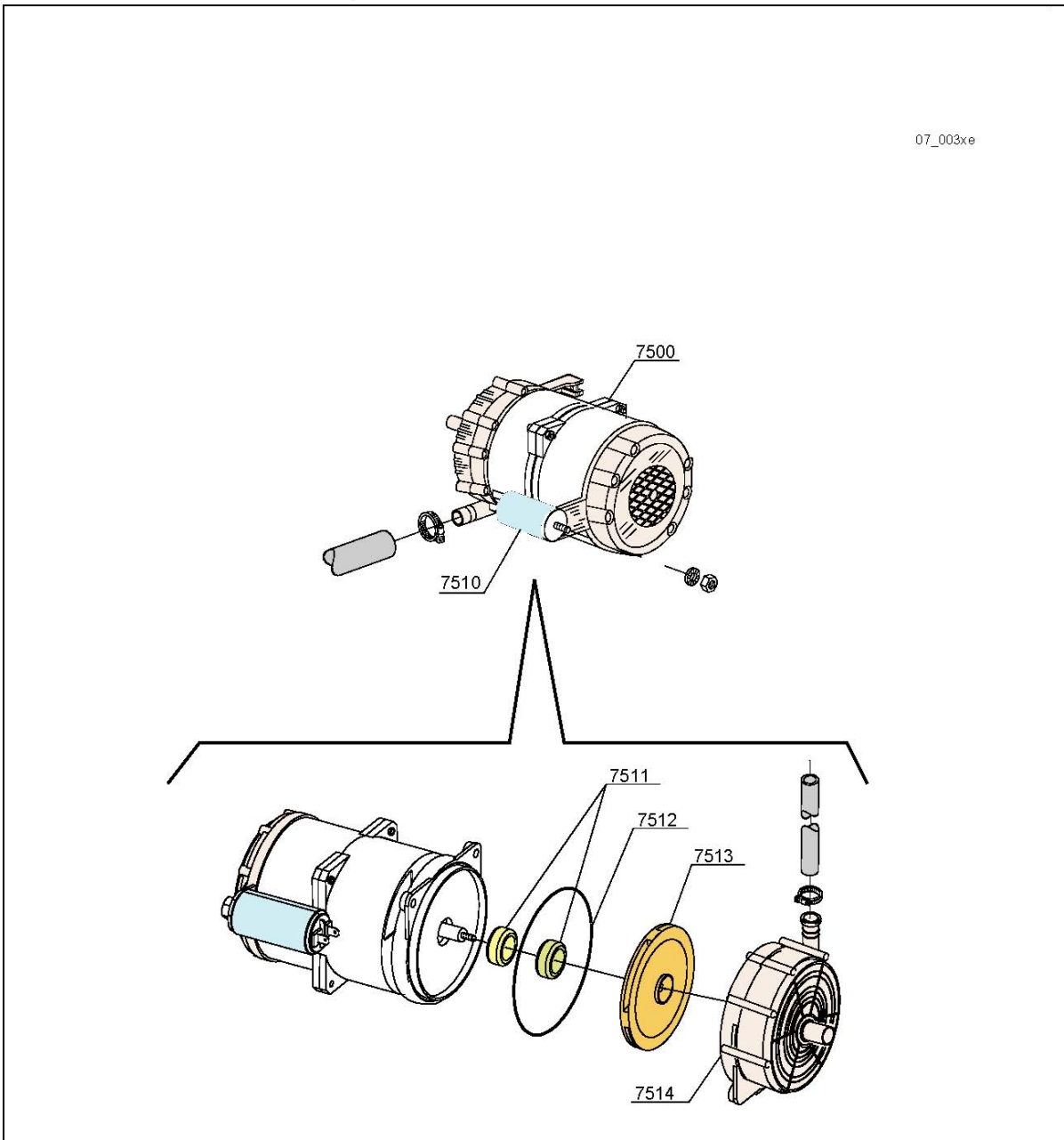


ID	P- Code	DESCRIPTION
41200	15735	Break tank assembly
41205	15721	BT middle pipe L=920
41210	2907352	PVC WRAS rubber hose
41215	x	Pipe coupling
41220	10706/A	47-27 pressure switch
41240	540098	3 ways D25
41265	10702	5 uF condenser
41270	10512	220/240V 60 Hz Plus Rinsing pump
41275	10718	Pump pipe coupling

ID	P- Code	DESCRIPTION
41280	560062	Boiler
41285	150891	6000/6530W 230/240V heating elem.
41286	15100/S	Rotating seals
41287	15100/T	OR (O-ring) gasket EPDM
41288	15100/U	Pump rotor
41289	15100/V	Scroll
41290	13015	OR (O-ring) 6225 gasket 160 NBR
41291	12533	Reinforce for pipe in exit (break rank)

1.1.8. Booster Pump

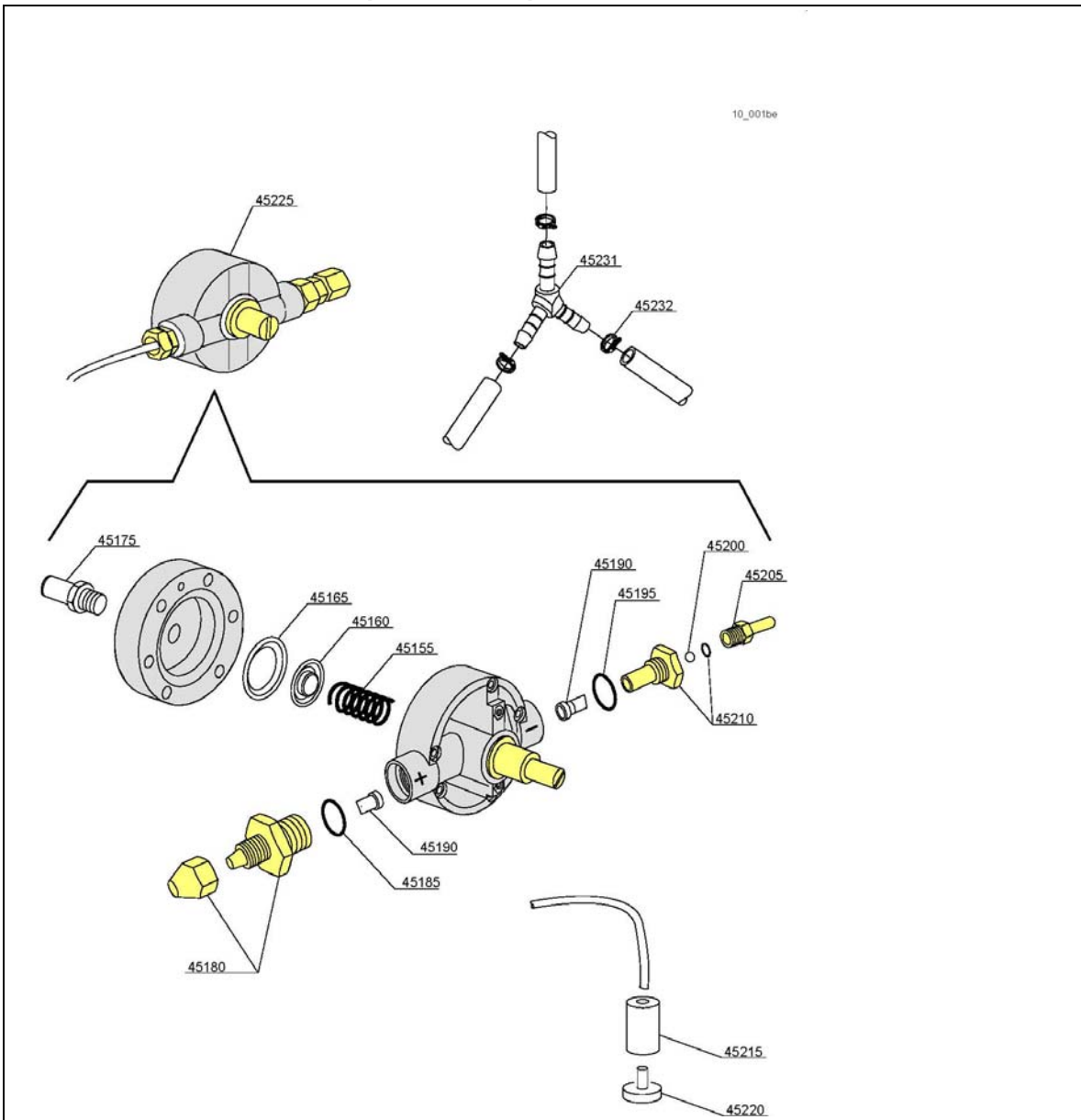
07_003xe



ID	P- Code	DESCRIPTION
7500	10512	220/240V 60 Hz Plus Rinsing pump
7510	10702	5 uF condenser - 450V
7511	15100/S	Rotating seals

ID	P- Code	DESCRIPTION
7512	15100/T	OR (O-ring) gasket EPDM
7513	15100/U	Pump rotor
7514	15100/V	Scroll

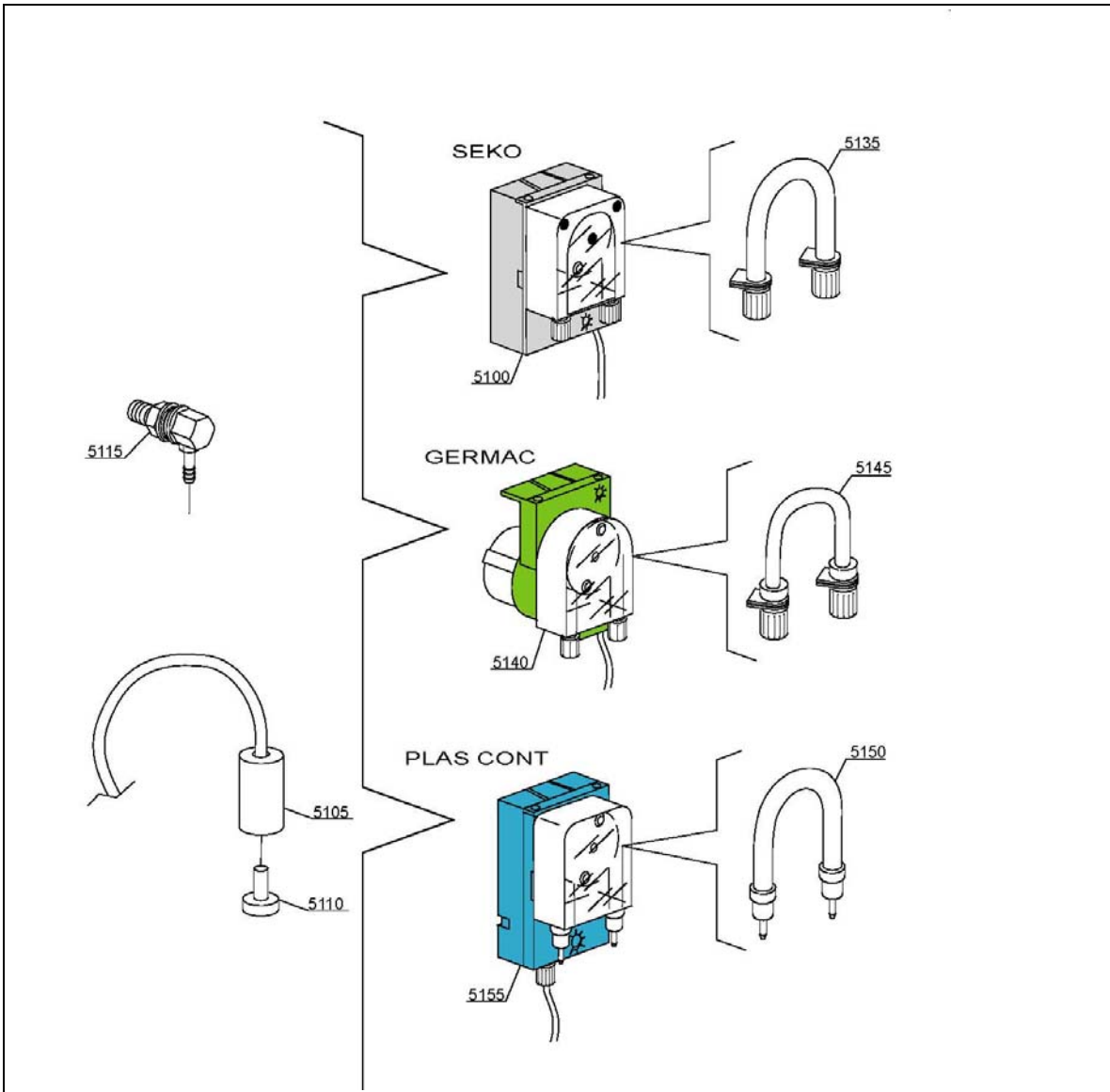
1.1.9. Rinse Aid Dispenser Group



ID	P- Code	DESCRIPTION
45155	10705/M	Spring
45160	10705/N	Disc to membrane
45165	10705/O	Membrane
45175	12506	Rubber-holder O 10mm
45180	10705/G	Pipe fitting
45185	10705/C	OR-gasket
45190	10705/D	Silicone valve
45195	10705/C	OR-gasket

ID	P- Code	DESCRIPTION
45200	10705/T	Sphere made of Teflon
45205	10705/R	Brass pipe fitting
45210	10705/E	OR-gasket Guide valve
45215	12525	Ballast
45220	15058	Small filter (minimum 3 pieces)
45225	10799/G	GERMAC rinse aid dispenser
45231	540091	012 mm plastic 3 ways connection
45232	11807	Clamp 12-22 (minimum 3 pieces)

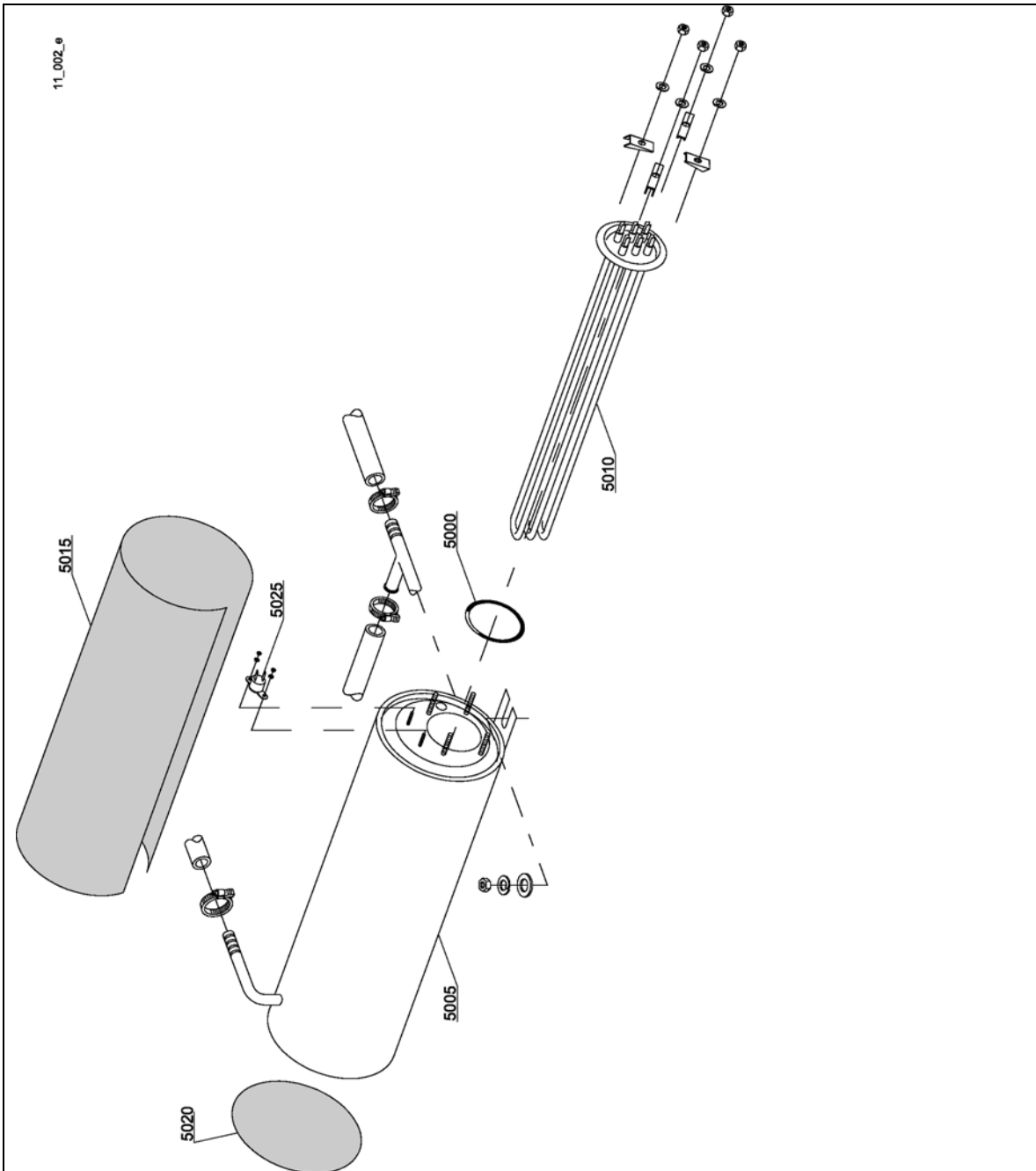
1.1.10. Detergent Dispenser Group



ID	P- Code	DESCRIPTION
5100	15985	Seco detergent pump
5105	12525	Ballast
5110	15058	Small filter
5115	15123	Complete s/s injector
51135	15185	Seco thermoplastic pipe

ID	P- Code	DESCRIPTION
5140	15985	Germac detergent pump
5145	15108/E	Germac thermoplastic pipe
5150	15985/A	Plas Cont thermoplastic pipe
5150	15985/A	Plas Cont detergent pump

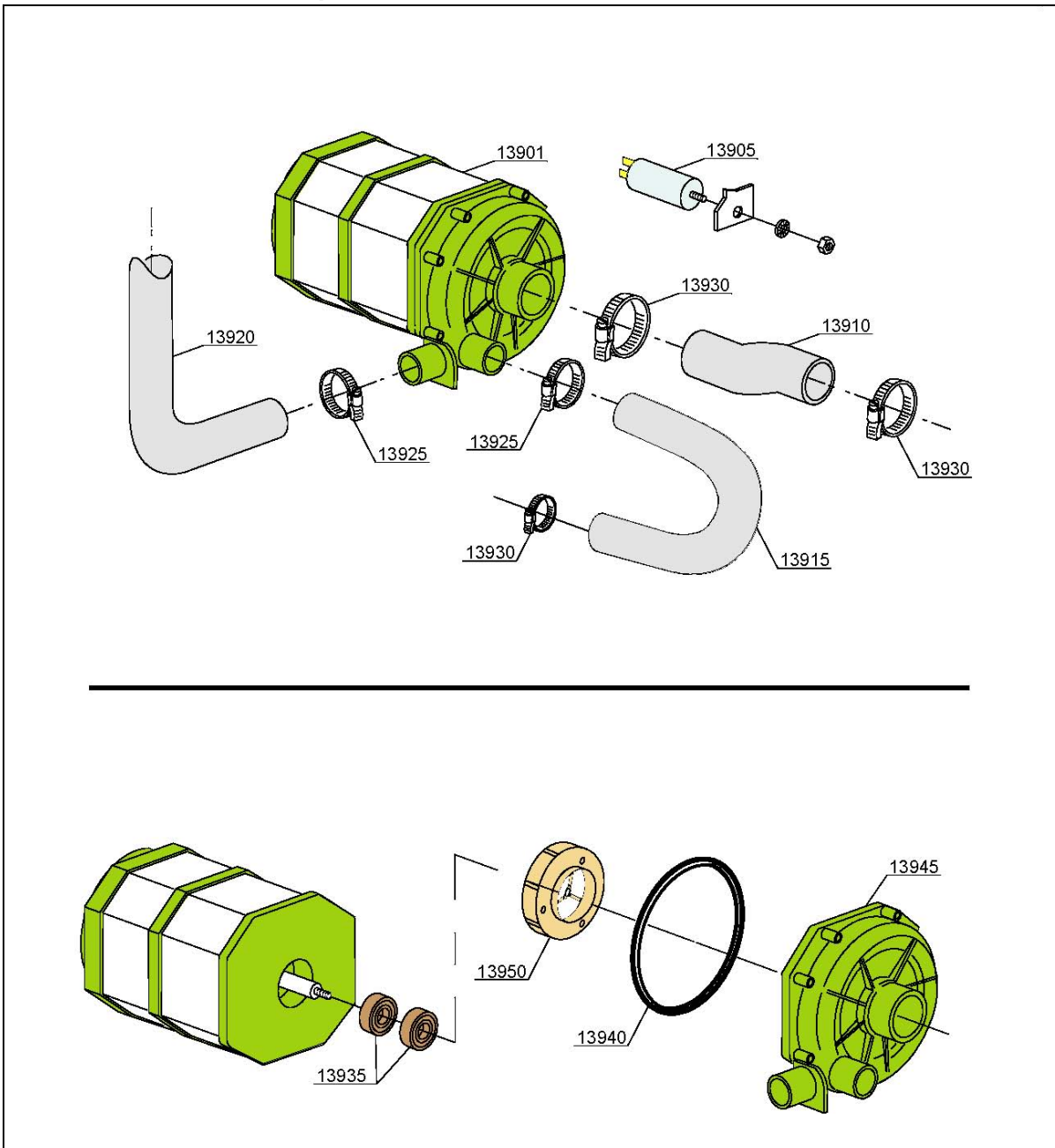
1.1.11. Boiler Group



ID	P- Code	DESCRIPTION
5000	13005	OR 151 NBR O-ring (minimum 5 pcs)
5005	150905	Boiler
5010	150891	6/6.53 KW 230/240V 3 heating element

ID	P- Code	DESCRIPTION
5015	15066	Insulation boiler
5020	15205	D160 End piece (minimum 2 pieces)
5025	15550	Safety thermostat

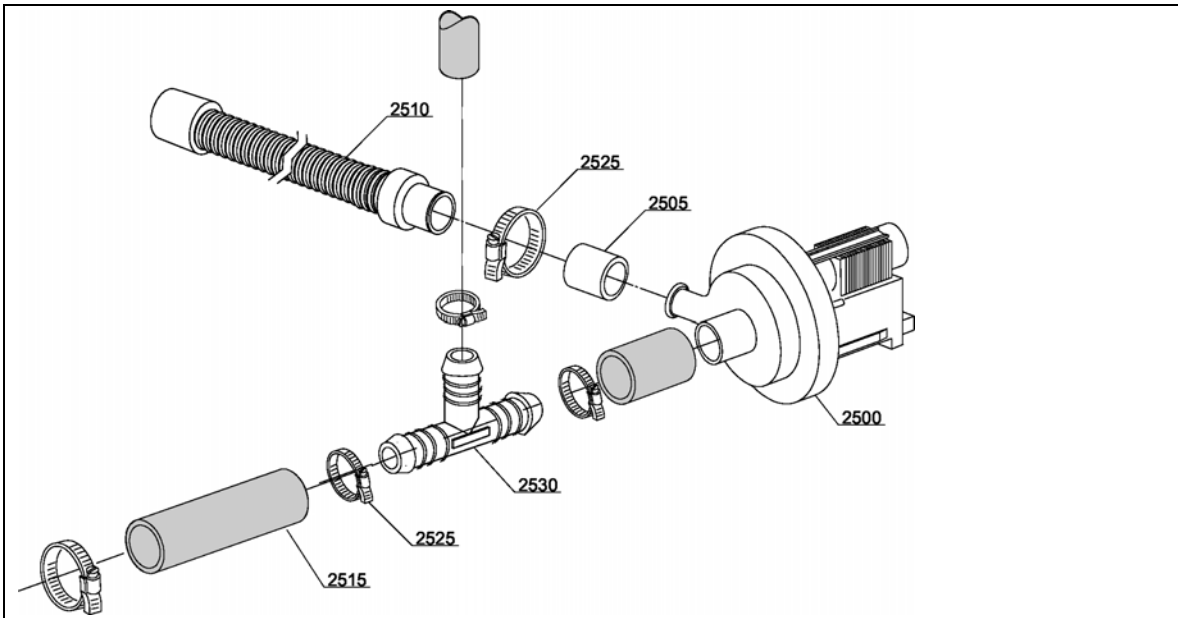
1.1.12. Wash Pump



ID	P- Code	DESCRIPTION
13901	150933	0,70Hp wash pump - 220V / 240V 60Hz
13905	15081	R12,5 uF condenser
13910	25032/A	Suction pipe coupling
13915	560014	Lower wash pipe coupling
13920	150048/a	Wash ramp
13925	11806	25/40 clamp (minimum 2 pieces)

ID	P- Code	DESCRIPTION
13930	11809	30/45 clamp (minimum 2 pieces)
13935	15080	Rotating seals
13940	7130	OR pump O-ring (minimum 2 pcs)
13945	16182	Scroll
13950	15079/G	Pump rotor
13950	150933/A	Pump rotor

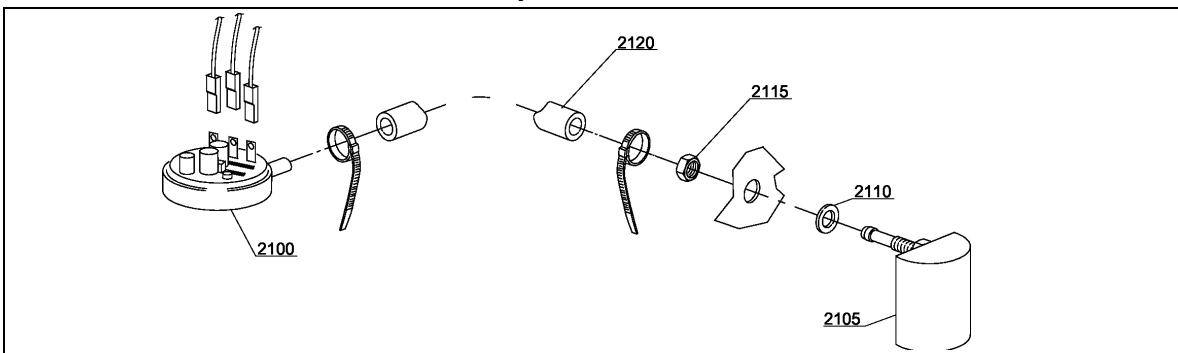
1.1.13. Drain pump Group



ID	P- Code	DESCRIPTION
2500	15101/E	Drain pump 230V 60Hz (UL)
2505	15101/D	Pipe fitting (minimum 3 pieces)
2510	10727	Drain pipe

ID	P- Code	DESCRIPTION
2515	18044	028 top wash pipe
2525	11806	25/40 clamp (minimum 2 pieces)

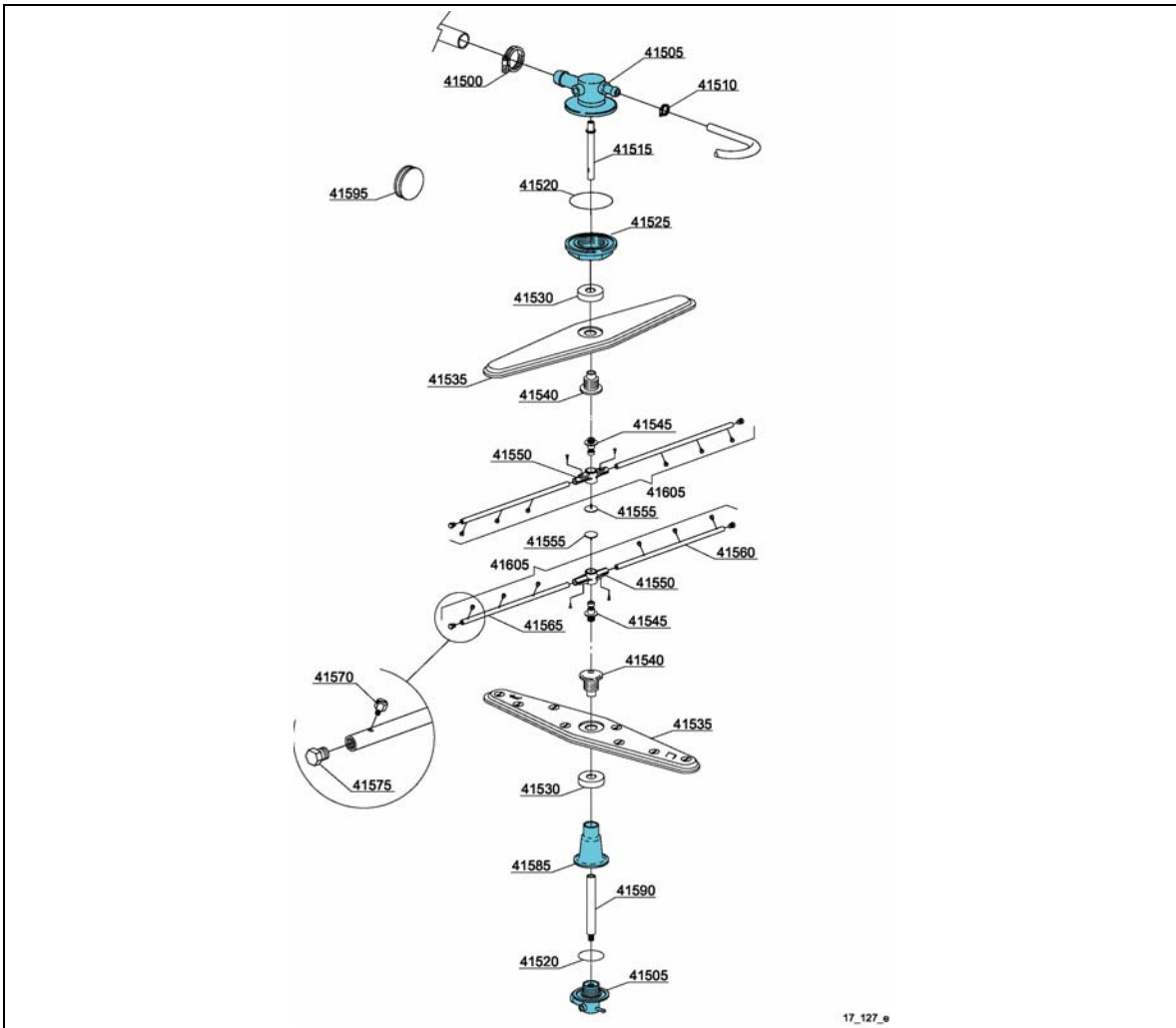
1.1.14. Pressure Switch Group



ID	P- Code	DESCRIPTION
2100	10706/A	47-27 pressure switch
2105	135911/B	Grey air trap assembly
2110	13301	O-ring (minimum 10 pcs) D14x8x1,5

ID	P- Code	DESCRIPTION
2115	11702	M8 stainless steel nut (minimum 10 pcs)
2120	14508	4,5X9 EPDM rubber hose (minimum 2mt)

1.1.15. Turret Group



ID	P- Code	DESCRIPTION
41500	11806	25/40 clamp (minimum 2 pieces)
41505	500612	Top/lower turret
41510	11807	12/22 clamp (minimum 3 pieces)
41520	13015	6225 OR 160 NBR O-ring (min 5 pcs)
41525	500623	Ring nut for fixing turret
41535	500700	Stainless steel wash rotor
41540	500701	Hub for rotor (inox rinse arm)
41545	10651	Rinse axle
41550	10650	Rinse arm
41555	10652	Rinse arm screw

ID	P- Code	DESCRIPTION
41560	10657	Right rinse arm - stainless steel nozzle
42860	10658	Left rinse arm - stainless steel nozzle
41570	560018	Stainless steel rinse nozzle
41575	560017	Rinse arm plug
41580	550220	Hub rotor/pipe coupling spacer
41585	550225	Lower pipe coupling
41590	500704	Rinse lower distributor connection axle
41595	13316/A	DVGW hole O-ring
41605	75918	Top/lower rinse arm complete