



# EST-44

High Temperature  
Low Temperature  
44" Conveyor Dishwasher

Water Consumption  
**Only .49 Gallons**  
Per Rack of Dishes  
Meets ENERGY STAR

OPTIONAL VENT HOODS



### FEATURES:

- Energy Star approved.
- Automatic water control system.
- 243 racks / 970 covers per hour.
- Economical to operate. Uses only .49 gallons of water per rack of dishes.
- Single control switch activation.
- Power rinse heater system.
- Unique 3-stage washing process provides wash, power rinse and final rinse all in a 44" machine.
- Automatic soil purging system filters wash water and traps plate debris into an external tray. Tray can be easily removed for cleaning.
- All stainless steel construction offers durable performance and years of trouble-free operation.
- Chemical resistant industrial heaters are proven to be more durable than commercial grade heaters.
- Large 19" opening accommodates larger items and utensils.
- Auto start/stop makes operation more energy efficient.
- Easy to remove and replace curtains for cleaning.
- Includes table limit switch and rack saver clutch system that protects the machine, dishracks and table from damage.
- Stainless steel chemical injection chamber.

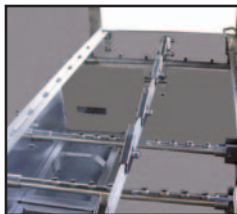
Model shown as Left to Right.  
Also available as Right to Left.

### Available Options

- Corner Feed Table  
*(FACTORY INSTALLED RECOMMENDED)*
- Vent Hood with 4" x 16" Vent and Damper Control (2 per set)
- Alternative electrical options
- Hatco Booster Heater available
- Stainless Steel dishtables
- Drain Water Tempering Kit
- "E Temp" CMA booster heater(40° rise)
- Single Drain Connection Kit



New energy efficient oil-free drive system.



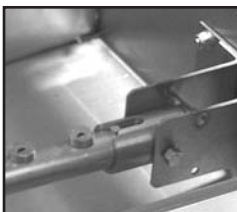
Strategically located spray arms with spray pattern positioned for additional wash coverage.



Large 19" opening accommodates larger items and utensils.



Shown with optional cornerfeed table. Available right or left.



Easy to remove wash arms with captive end caps. **Never lose another end cap again!**



New user friendly single action control switch with easy access and easy to clean around control box.

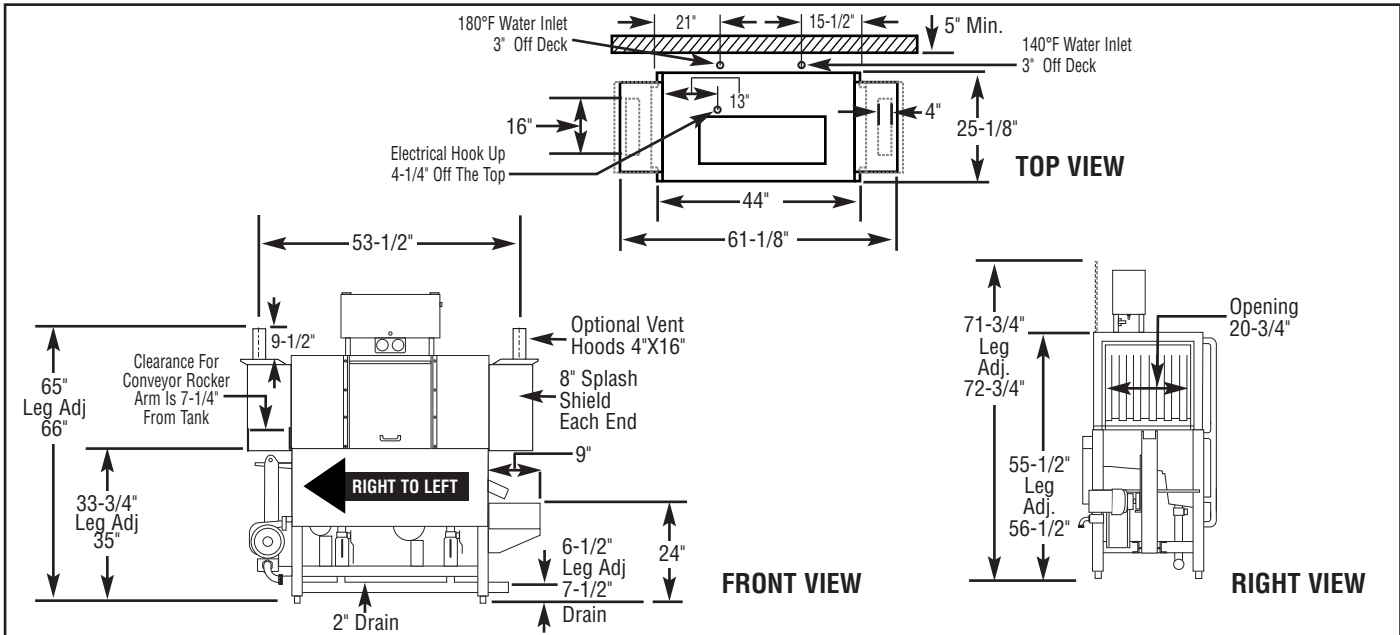




# EST-44

High Temperature  
Low Temperature  
44" Conveyor Dishwasher

**WARNING:** Plumbing connections must be made by a qualified service company who will comply with all (necessary) Federal, State, and Local Health, Plumbing and Safety codes.



**Specifications:**

MODEL EST-44H/L	USA	METRIC		USA	METRIC	
<b>OPERATING CAPACITY</b>			<b>DIMENSIONS</b>			
RACKS PER HOUR (NSF RATED)	243	243	DEPTH	25-1/8"	(64cm)	
<b>CONVEYOR SPEED</b>	6.75 FT./MIN.	(206 CM/MIN.)	WIDTH	44"	(111.7cm)	
<b>WASH PUMP MOTORS HP</b>	1	1	HEIGHT	55-1/2"-56-1/2"	(140.97-143.51cm)	
<b>RINSE PUMP MOTOR HP</b>	1/3	1/3	STANDARD TABLE HEIGHT	34"	(86cm)	
<b>CONVEYOR MOTOR HP</b>	1/3	1/3	MAX HEIGHT CLEARANCE	19"	(48cm)	
<b>WATER INLET - FILL</b>	1/2"	(1.27cm)	<b>STANDARD DISHRACK</b>	1	1	
<b>WATER INLET - FINAL RINSE</b>	1/2"	(1.27cm)	DIMENSIONS	19-3/4"X19-3/4"	(50X50cm)	
<b>DRAIN SIZE</b>	2"	(5.1cm)	<b>ELECTRICAL RATING</b>	<b>VOLTS</b>	<b>PHASE</b>	<b>AMPS</b>
<b>FINAL RINSE PRESSURE</b>	20 ± 5psi	(1.41 kg/cm²)		208	1	69
<b>WASH TANK CAPACITY</b>				240	1	76
PRE-RINSE	4.25 GAL	(16.0 L)		208	3	46
WASH	11.75 GAL	(44.5 L)		240	3	51
TOTAL	16.0 GAL	(60.5 L)		480	3	24
<b>WASH PUMP CAPACITY</b>			<b>WASH TANK HEATER</b>	12.75kW @ 240V		
EACH	52 GPM	(197 LPM)	<b>RINSE TANK HEATER</b>	3kW @ 240V		
<b>OPERATING TEMPERATURE EST-44H</b>			<b>SPECIFY DIRECTION OF RACK TRAVEL (RIGHT TO LEFT, LEFT TO RIGHT) WHEN ORDERING</b>			
WASH	150°F-160°F	(66°C/71°C)	<b>EST-44H EXHAUST VENTILATION REQUIREMENTS AT 100% CAPACITY CFM</b>			
PUMPED RINSE	150°F-160°F	(66°C/71°C)	ENTRANCE END 200 MAX	DISCHARGE END 400 MAX	TOTAL CFM 600 MAX	
FINAL RINSE	180°F-195°F	(82°C/90°C)				
<b>OPERATING TEMPERATURE EST-44L</b>			<b>SHIPPING WEIGHT</b>			
WASH RECOMMENDED	140°F-150°F	(60°C/68°C)	APPROXIMATE	662#	(300kg)	
PUMPED RINSE RECOMMENDED	140°F-150°F	(60°C/68°C)				
FINAL RINSE RECOMMENDED	140°F-150°F	(60°C/68°C)				
<b>WATER CONSUMPTION</b>						
PER RACK (FINAL RINSE)	.49 GAL	(1.8 L)				
PER HOUR (FINAL RINSE)	119 GPH	(450 LPH)				

**Summary Specifications: Model EST-44 Conveyors**

The Model EST-44H high temperature and EST-44L Chemical Sanitizing conveyor dishwashers meets ETL sanitation, UL, and CUL construction standards. The EST-44 performs three separate washing functions including a built-in power rinse, all in a 44" space. The EST-44 washes up to 243 racks per hour and uses a minimum .49 gallons of water per rack while achieving sparkling, clean, dry dishes. Constructed entirely of stainless steel.

**Available Models**

- EST-44H R/L Right to Left
- EST-44H L/R Left to Right
- EST-44L R/L Right to Left
- EST-44L L/R Left to Right

