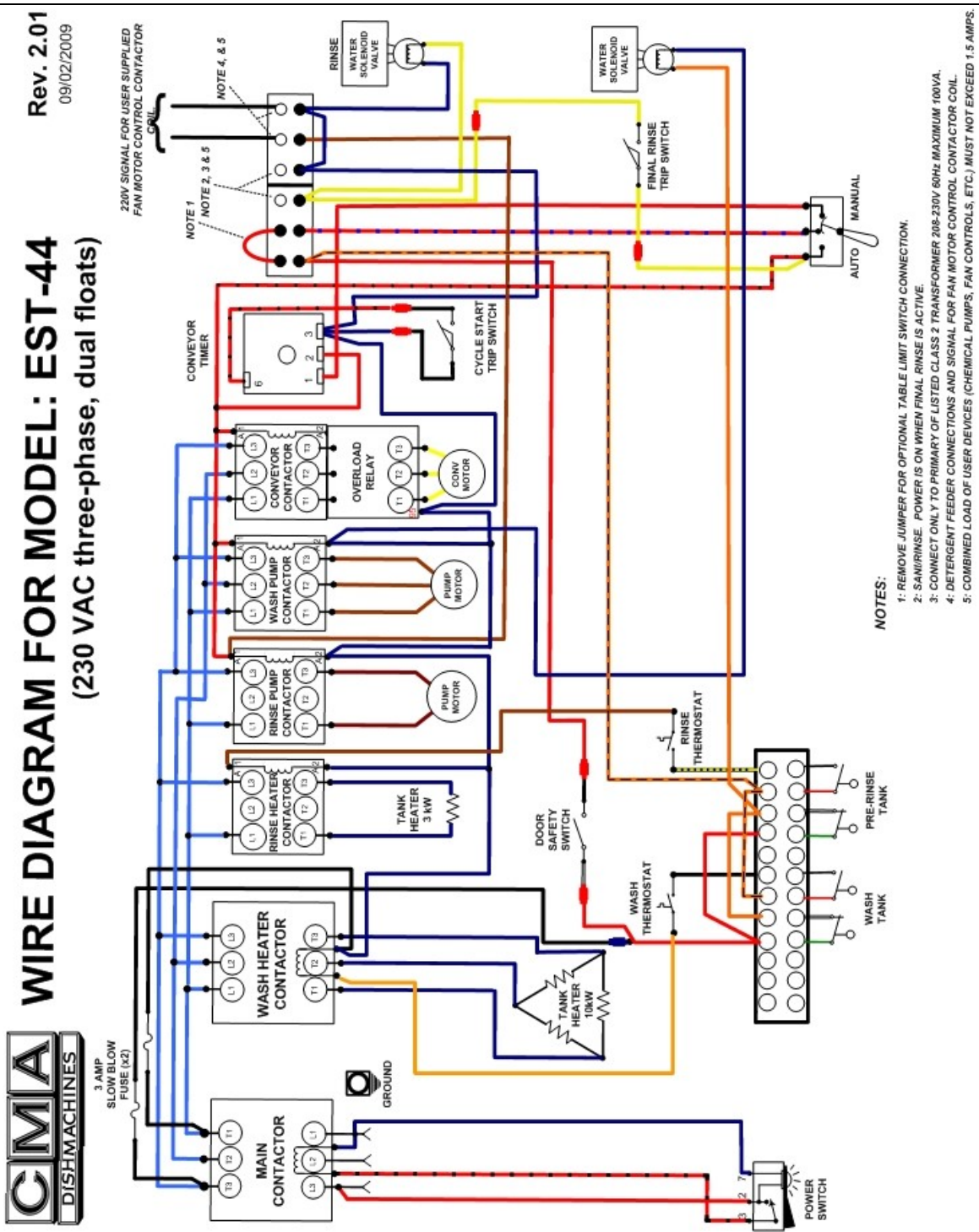


# Electrical Diagram



## WIRE DIAGRAM FOR MODEL: EST-44 (230 VAC three-phase, dual floats)

Rev. 2.01  
09/02/2009

- NOTES:**
- 1: REMOVE JUMPER FOR OPTIONAL TABLE LIMIT SWITCH CONNECTION.
  - 2: SANIRINSE. POWER IS ON WHEN FINAL RINSE IS ACTIVE.
  - 3: CONNECT ONLY TO PRIMARY OF LISTED CLASS 2 TRANSFORMER 208-230V 60Hz MAXIMUM 100VA.
  - 4: DETERGENT FEEDER CONNECTIONS AND SIGNAL FOR FAN MOTOR CONTROL CONTACTOR COIL.
  - 5: COMBINED LOAD OF USER DEVICES (CHEMICAL PUMPS, FAN CONTROLS, ETC.) MUST NOT EXCEED 1.5 AMPS.