



MODEL GL-C

PARTS MANUAL

Rev. 1.00 A



CMA DISHMACHINES
12700 KNOTT AVENUE
GARDEN GROVE, CALIFORNIA 92841

800-854-6417

FAX 714-895-2141

www.cmadishmachines.com

TABLE OF CONTENTS

MODEL GL-C

1. PARTS MANUAL	3
1.1. INITIAL PARTS KIT P/N 1100.47	3
1.2. EXPLODED VIEW DRAWINGS.....	4
1.2.1. Main Assembly.....	4
1.2.2. Conveyor /Curtain/Switch Assembly	5
1.2.3. Control Box	7
1.2.4. Detergent Tank	8
1.2.5. Inlet Plumbing	9
1.2.6. Sanitizer Plumbing	10
1.2.7. Vacuum Breaker Plumbing Support	11
1.2.8. Wash Pump Assembly.....	12
1.2.9 Drive Complete.....	13
1.2.10. GL-C Waste Collector Assy. P/N 16565.00.....	14

1. Parts Manual

1.1. Initial Parts Kit p/n 1100.47

P/N	DESCRIPTION	Qty
*00120.00	Thermometer (Bi Metal)	1
00201.47	Wash Pump	1
00308.47	Spray Arm End Plug	3
00421.47	GL-C Rocker Switch	1
00472.47	GL-C Conveyor Shut Off Switch	1
00490.47	Wash Pump Capacitor	1
*00631.05	Ice Cube Relay 220V, 12A	1
00631.47	Ice Cube Relay 220V, 20A	1
00715.47	3/8" Check Valve	1
00810.47	GL-C Drive Motor 220V	1
00811.47	Drive Motor Spring	1
00815.00	GL-C Peri Pump Complete	1
00820.00	GL-C Peri Pump Circuit Board	1
00821.00	GL-C Transformer	1
00839.00	Squeeze Tube w/conn.	3
00899.01	Cleaning Drill	1
00899.02	Cleaning Brush	1
03470.47	Power on-off/ Flush Switch	1
*03475.00	Primer Switch - Push Button	1
*03623.00	1/2 Vac Breaker Repair Kit Watts	1
13415.47	GL-C 3kW Heater	1
*13417.89	Heater Thermostat (EGO)	1
13418.47	GL-C Auto-Fill Timer	1
*13605.00	Pressure Gauge	1
13703.47	GL-C Curtain	1
41015.70	Solenoid Valve 3/8" 220V	1

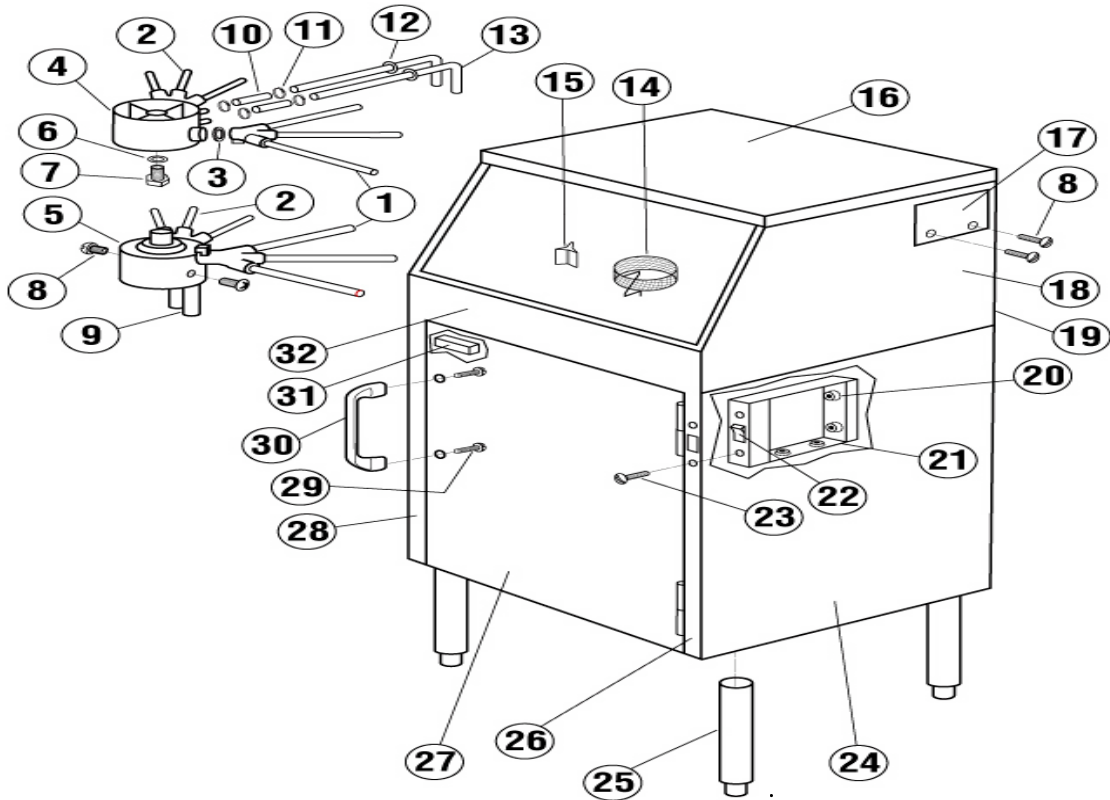
NOTE: Important! CMA recommends that the initial parts kit be purchased immediately and kept on hand as a back up supply of critical parts in the event your machine should require emergency service.

All the parts included in this kit are unique to the GL-C glasswasher (except those with *).

Parts Manual

1.2. Exploded View Drawings

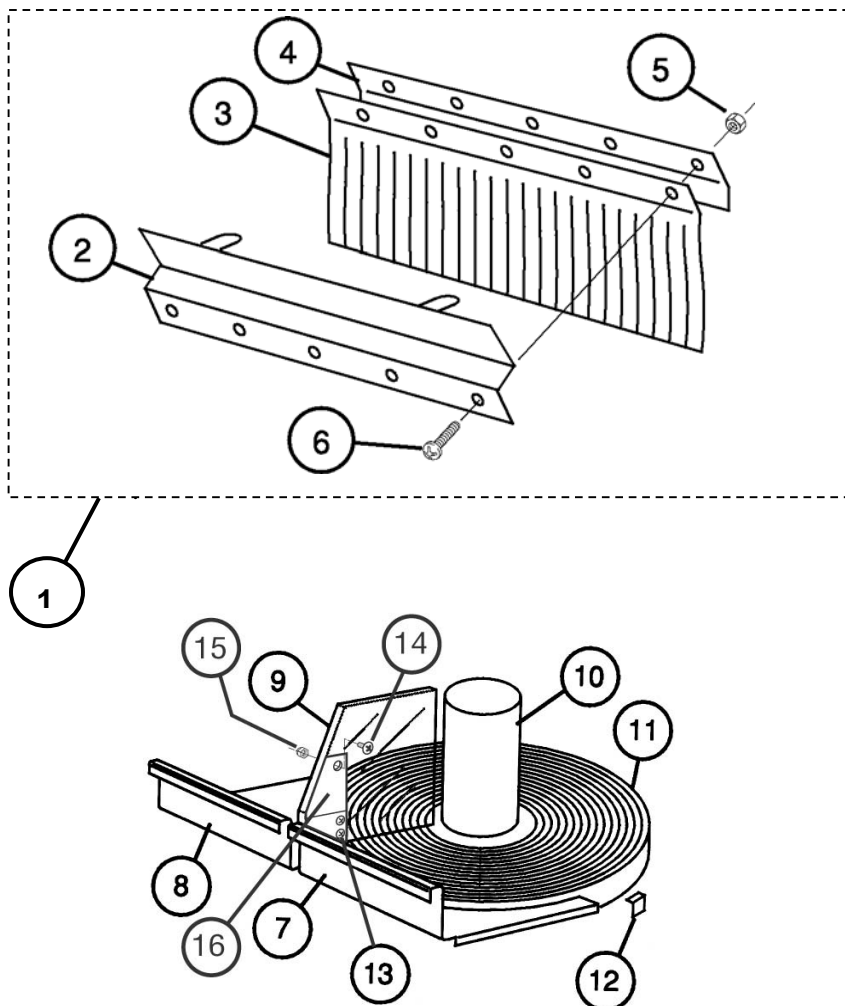
1.2.1. Main Assembly



ITEM NO.	NO. REQ'D	P/N	DESCRIPTION
1	2	14754.00	Rinse Arm
2	2	14755.00	Wash Arm
3	4	14752.10	Upper Manifold "O" Ring
4	1	14752.00	Upper Spray Base
5	1	14753.00	Lower Spray Base
6	1	00924.00	Flat Washer, 1/4"
7	1	00910.00	Bolt, 1/4-20 x 1 1/2"
8	4	00940.60	Screw, 10-32 x 3/8"
9	1	14756.00	Bottom Manifold Inlet Tube
10	1	03106.47	Braided Hose 3/8"
11	4	03101.47	Gear Clamp #6
12	2	14754.10	Grommet
13	1	05004.00	3/8" .28 SS Tube
14	1	16571.20	Deflector Screen (Rinse)
15	1	16571.00	Drain Deflector (Wash)
16	1	16513.00	Top Panel

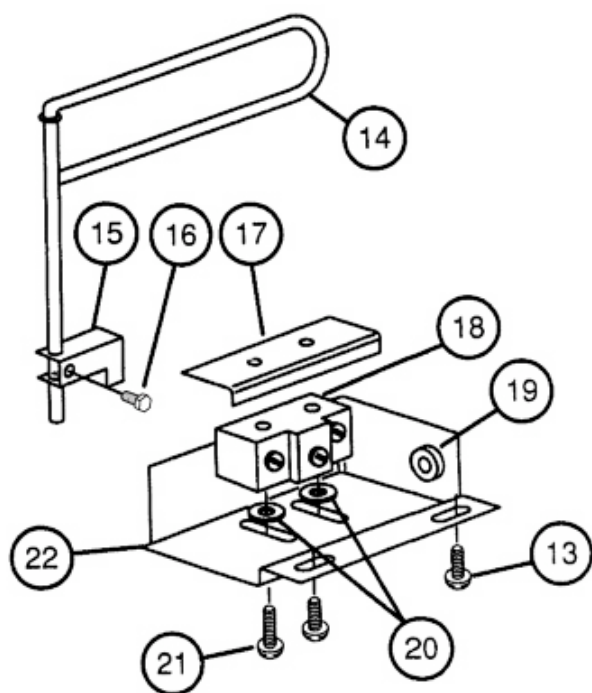
ITEM NO.	NO. REQ'D	P/N	DESCRIPTION
17	1	16510.50	Access Cover for Vacuum Breaker
18	1	16502.00	Side Panel Wrap
19	1	16530.00	Wash Tank Assy.
20	4	00438.00	Snap Bushing Universal 875-11
21	1	16514.50	Conveyor Switch Box Assembly
22	1	00421.47	GLC Rocker Switch
23	2	00940.50	Screw, 10-32 x 3/8"
24	1	16531.00	Base Assy.
25	4	01146.00	Leg 6-1/2"- Thread
26	1	16502.60	Front Pillar (Right Hand)
27	1	16506.00	Door Assy.
28	1	16502.65	Front Pillar (Left Hand)
29	2	00536.00	Screw, 10-24 x 3/8"
30	1	00535.30	Door Handle
31	1	00812.47	Magnetic Door Catch
32	1	16502.50	Face Trim
1	1	16530.50	Tank Support Bracket (not shown)

1.2.2. Conveyor /Curtain/Switch Assembly



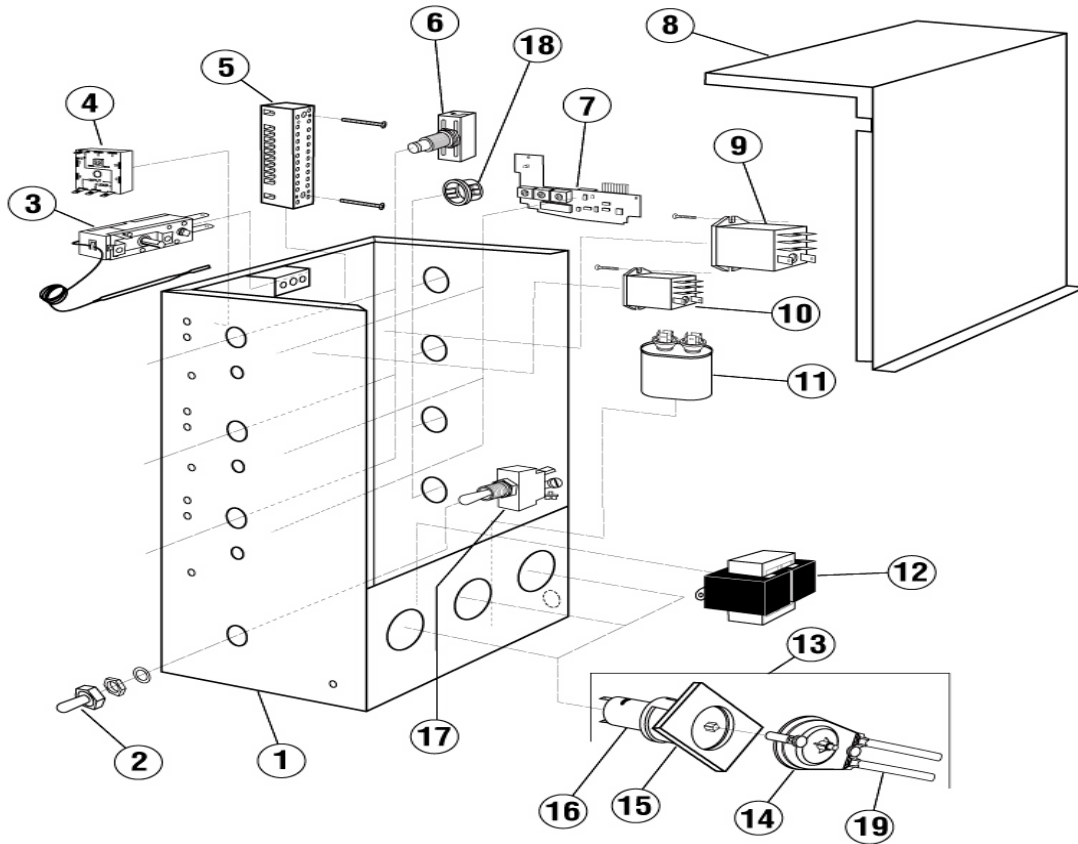
ITEM NO.	NO. REQ'D	P/N	DESCRIPTION
1	1	N/A	Curtain Assembly Complete
2	1	16505.00	Curtain Support
3	1	13703.47	GL-C Curtain
4	1	16505.10	Curtain Clamp
5	1	00927.00	Nut, 8-32
6	1	00911.50	Screw, 8-32 x 3/8"
7	1	16550.00	Tray- Right
8	1	16550.50	Tray- Left

ITEM NO.	NO. REQ'D	P/N	DESCRIPTION
9	1	00825.00	Plexiglass Divider
10	1	16551.00	Conveyor Hub
11	1	14750.00	Conveyor Turntable
12	4	14750.10	Turntable Glide Block
13	2	00940.60	Screw, 10-32 x 3/8"
14	1	00905.00	1/4-20 X 1/2 Trusshead Bolt
15	1	00912.00	1/4-20 Nylon Lock Nut
16	1	00825.10	Plexi Glass Divider Bracket



13	2	940.60	Screw 10-32 x 3/8"
14	1	16520.00	Conveyor Shut-off Rod
15	1	16521.00	Activator
16	1	00906.52	Hexhead Bolt, 1/4-20 x 3/8"
17	1	16514.30	Nut Plate
18	1	00472.47	Conveyor Shut Off Switch
19	1	00438.00	Snap Bushing Universal 875-11
20	2	04806.00	#10 Brass Washer Washer
21	2	01001.00	Screw, 6-32 x 1"
22	1	16514.00	Conveyor Shut Off Switch Brack.

1.2.3. Control Box

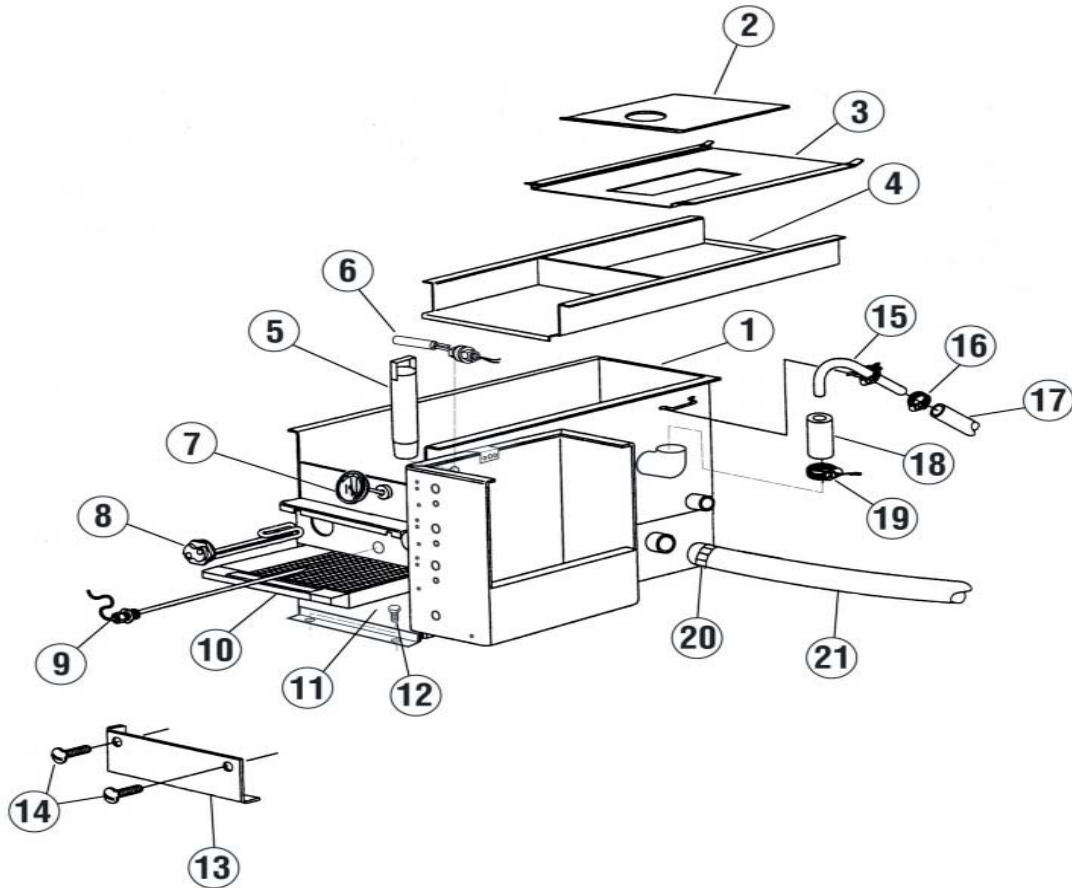


ITEM NO.	NO. REQ'D	P/N	DESCRIPTION
1	1	16503.00	GL-C Control Box
2	1	00470.10	Toggle Switch Rubber Boot
3	3	13417.89	Heater Thermostat (EGO)
4	1	13418.47	Auto- Fill Timer
5	1	15520.00	Power Block 12 Position
6	3	03475.00	Primer Switch - Push Button
7	3	00820.00	GL-C Peri Pump Circuit Board
8	1	16504.00	GL-C Control Box Lid
9	1	00631.47	Ice Cube Relay 220V, 20A
10	1	00631.05	Ice Cube Relay 220V, 12A
11	1	00490.47	Wash Pump Capacitor

ITEM NO.	NO. REQ'D	P/N	DESCRIPTION	
12	1	00821.00	GL-C Transformer	
13	1	00815.00	GL-C Peri Pump Complete	
14	1	00818.00	GL-C Peri Pump Cover	
15	1	16515.00	GL-C Peri Pump Panel	
16	1	00816.00	GL-C Peri Pump Gear Motor	
17	1	03470.47	Power on-off/ Flush Switch	
18	4	00438.00	Snap Bushing Universal 875-11	
19	3	00839.00	GLC Squeeze Tube w/ conn.	
		9	00820.10	Circuit Board Spacer Large *
		3	00820.20	Circuit Board Connector *
		9	00821.11	Circuit Board Spacer Small *

*Not shown

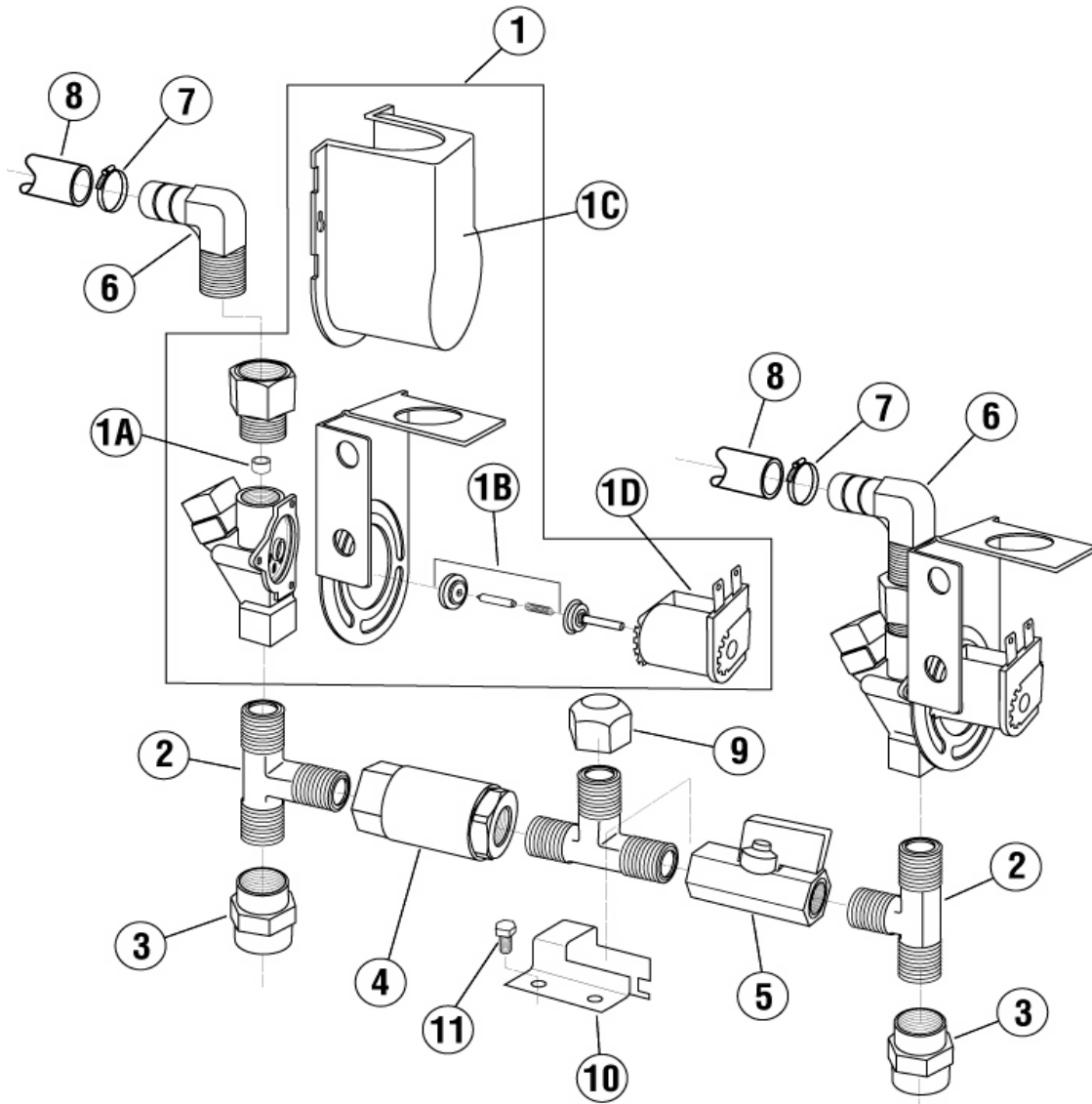
1.2.4. Detergent Tank



ITEM NO.	NO. REQ'D	P/N	DESCRIPTION
1	1	16541.00	Detergent tank
2	1	16542.00	Detergent tank Cover Lid
3	1	16543.00	Detergent tank Rear Cover
4	1	16544.00	Detergent tank Screen
5	1	16545.00	Overflow Drain Tube
6	1	13463.00	Liquid Level Switch
7	1	00120.00	Thermometer Bi Metal
8	1	13415.47	3KW Screw Plug Heater
9	1	13417.89	Heater Thermostat (EGO)
10	1	16579.20	Drain Screen
11	1	16579.00	Drain Pan

ITEM NO.	NO. REQ'D	P/N	DESCRIPTION
12	2	00906.00	1/4-20 X 1/2" Hexhead Bolt
13	1	16522.00	Heater Cover
14	2	00940.50	10-32 X 3/8" Truss Head Screw
15	1	05012.00	1/2 Cu Ref Tubing (Per Foot)
16	1	03101.47	Hose Clamp #6
17	1	03106.45	Braided Hose 1/2"
18	1	03108.60	Transfer Hose 1" Reinforced
19	1	03101.00	Hose Clamp # 16 1"
20	1	03101.49	Hose Clamp #24
21	1	03106.40	Ribbed Drain Hose 1 1/2" ID
	1	40116.00	1/4 Comp X 1/4 MIP Ftg(not shown)

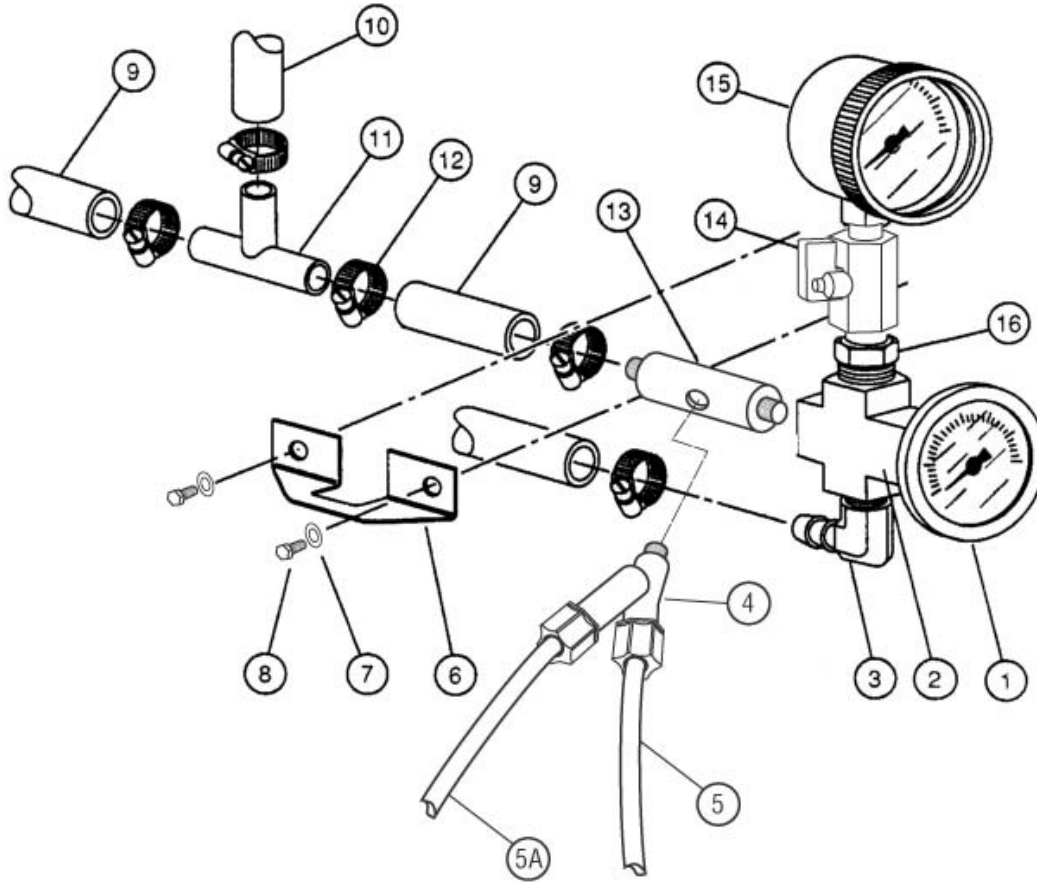
1.2.5. Inlet Plumbing



ITEM NO.	NO. REQ'D	P/N	DESCRIPTION
1	2	41015.70	Solenoid Valve 3/8" 220V
1A	2	N/A	Flow Washer
1B	2	N/A	3/8" Solenoid Valve Repair Kit
1C	2	N/A	3/8" Solenoid Valve Cover
1D	2	N/A	3/8" Solenoid Valve Coil
2	3	40010.00	GL-C 3/8" MPT Tee
3	2	40017.00	GL-C 1/2" x 3/8" FPT Reducer
4	1	00715.47	GL-C 3/8" Check Valve

ITEM NO.	NO. REQ'D	P/N	DESCRIPTION
5	1	41014.49	GL-C 3/8" Ball Valve
6	2	40012.10	GL-C 1/2 Barb x 3/8 MIP Elbow
7	2	03101.47	Hose Clamp #6
8	1	03106.45	Braided Hose 1/2"
9	1	40016.00	Brass Cap
10	1	16525.00	Inlet Plumbing Clamp
11	2	00914.10	1/4-20x5/8" Hexhead Bolt

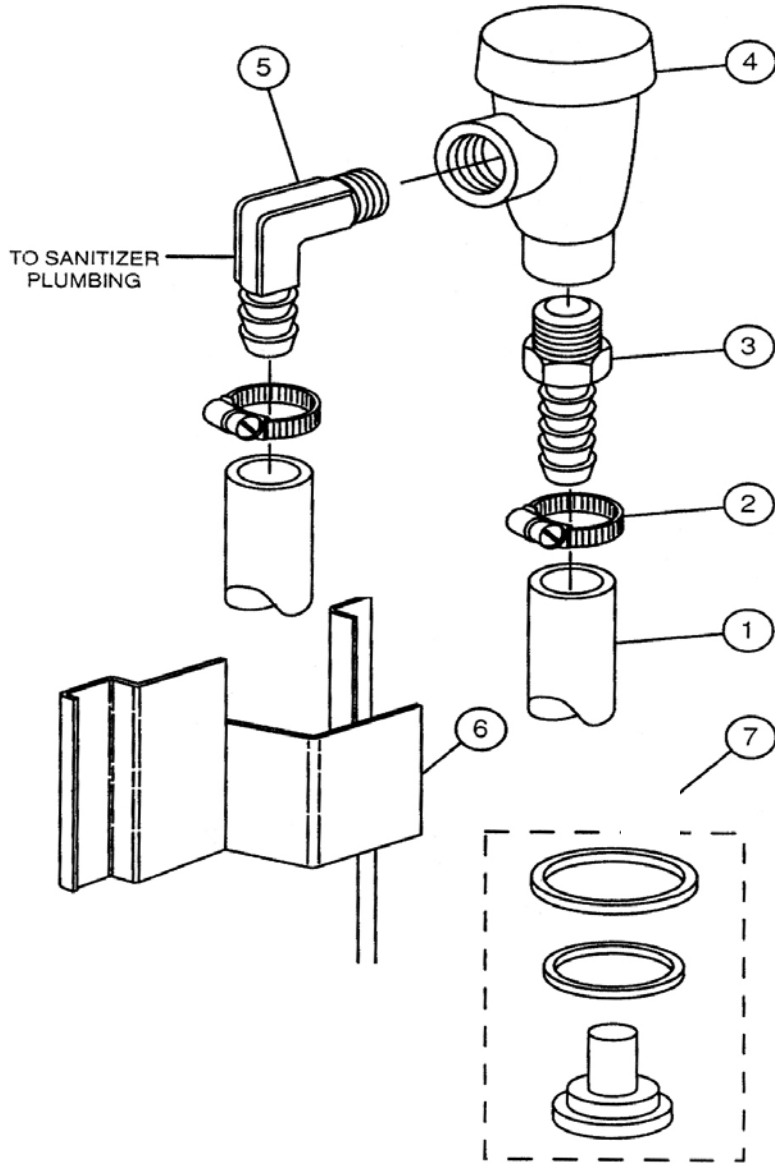
1.2.6. Sanitizer Plumbing



ITEM NO.	NO. REQ'D	P/N	DESCRIPTION
1	1	00120.00	Thermometer
2	2	40011.00	3/8" FPT Cross Connector
3	1	40012.00	3/8" MPT x 1/2" 90° Hose Barb
4	1	00826.00	Dual Inlet Chemical Injector
5	1	00425.51	Chemical Tubing Blue
5A	1	00425.54	Chemical Tubing White
6	1	16526.00	Gauge Bracket
7	2	00924.00	Lock Washer, 1/4
8	2	00912.00	Nut, 1/4-20

ITEM NO.	NO. REQ'D	P/N	DESCRIPTION
9	1	03106.45	1/2" I.D. Braided Hose
10	1	03106.47	3/8" I.D. Braided Hose
11	1	00434.49	1/2 x 1/2 x 3/8" Tee
12	5	03101.47	7/16" Gear Clamp
13	1	13699.47	Mixing Chamber
14	1	41014.47	1/4"MxF Mini Ball Valve
15	1	13605.00	0-30 PSI Pressure Gauge
16	1	40015.00	3/8 x 1/4" Reducer Bushing

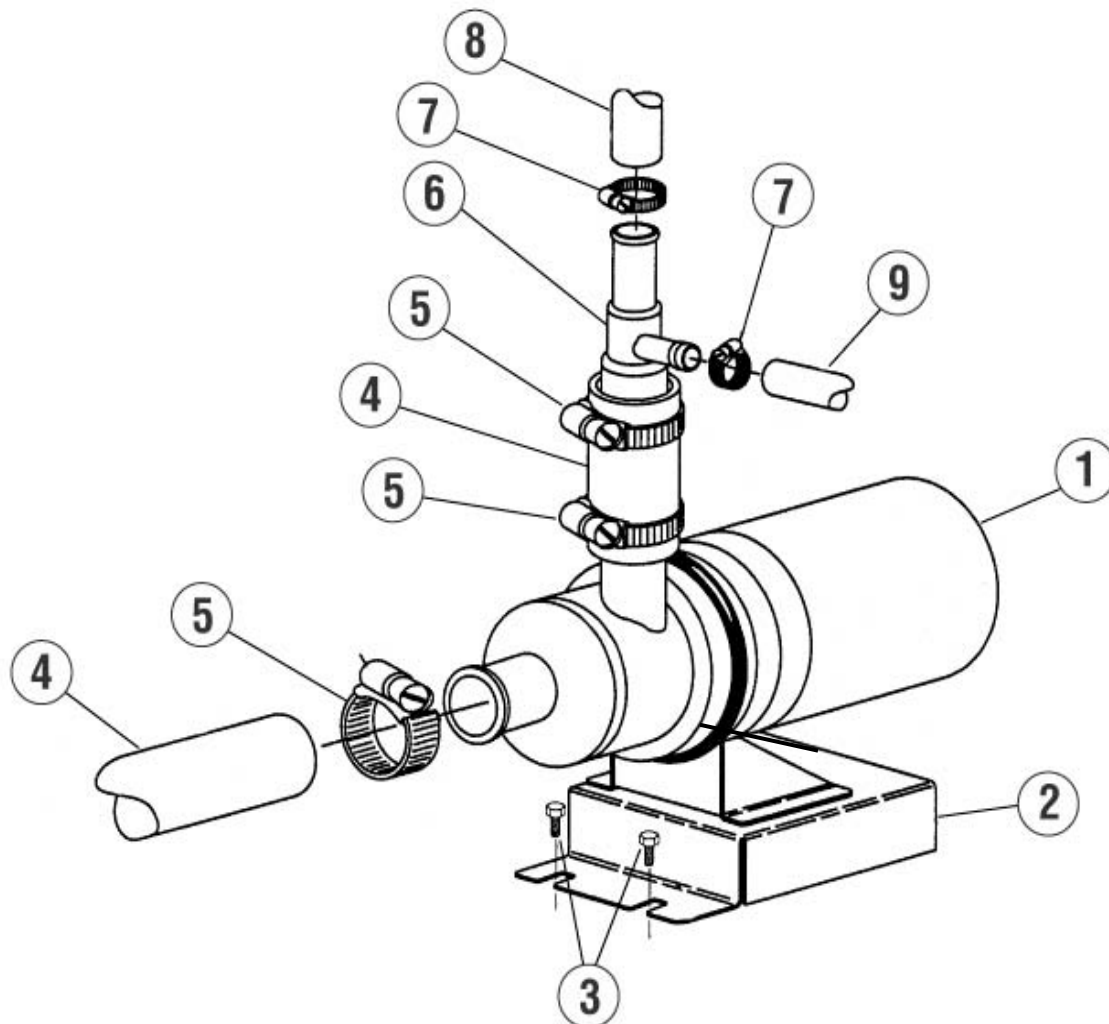
1.2.7. Vacuum Breaker Plumbing Support



ITEM NO.	NO. REQ'D	P/N	DESCRIPTION
1	1	03106.45	1/2" I.D. Braided Hose
2	2	03101.47	7/16" Gear Clamp
3	1	40014.00	1/2" MPT x 1/2" Hose Barb
4	1	03624.00	1/2" Vacuum Breaker

ITEM NO.	NO. REQ'D	P/N	DESCRIPTION
5	1	40013.00	GL-C 1/2 Barb x 1/2 MPT 90deg
6	1	16510.00	Plumbing Support
7	1	03623.00	Vacuum Breaker Repair Kit

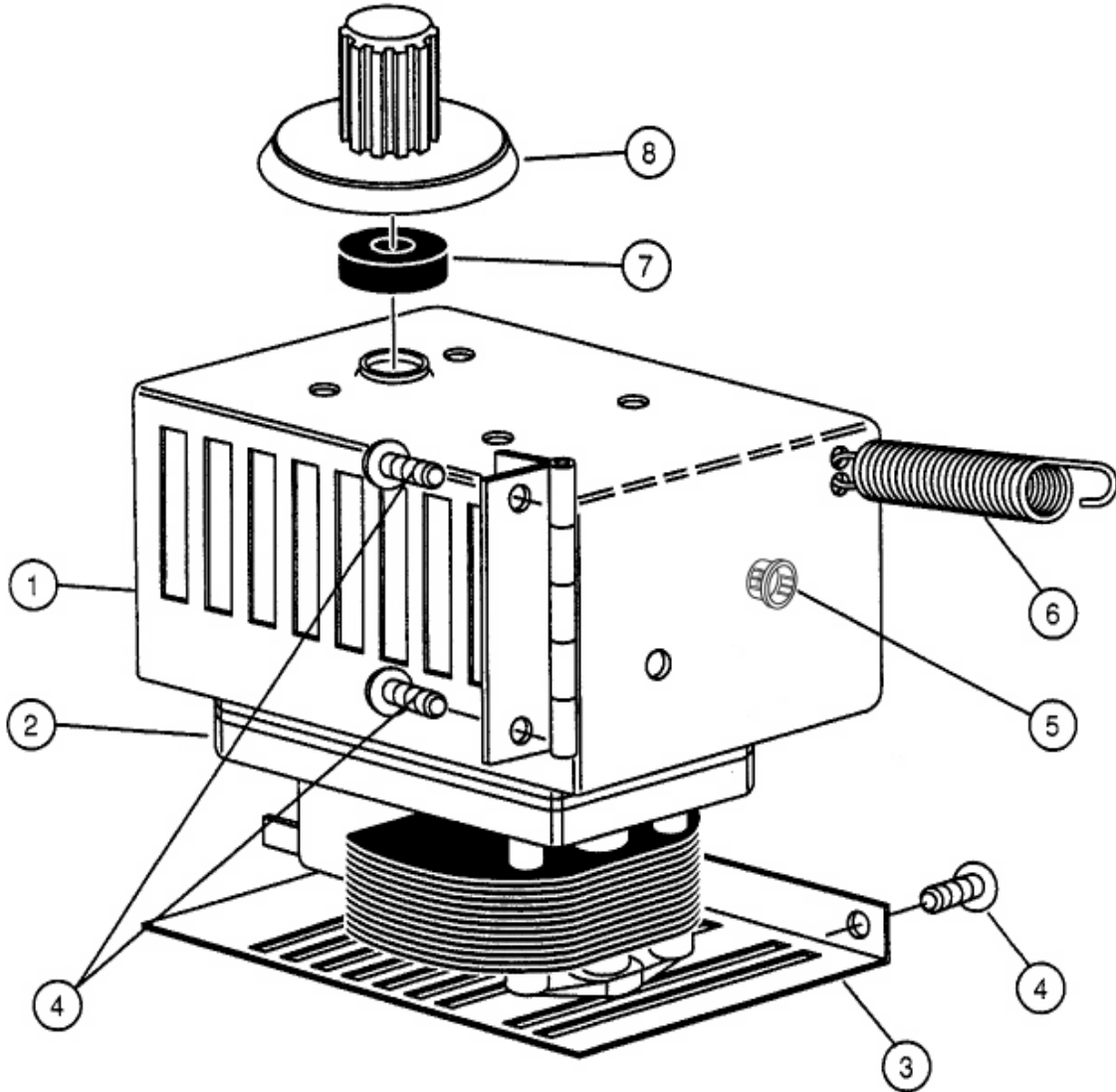
1.2.8. Wash Pump Assembly



ITEM NO.	NO. REQ'D	P/N	DESCRIPTION
1	1	00201.47	Wash Pump
2	1	16570.75	Wash Pump Base
3	2	00914.10	1/4-20 X 5/8 Hexhead Bolt
4	1	03108.60	Transfer Hose 1" Reinforced
5	1	03101.00	Hose Clamp #16

ITEM NO.	NO. REQ'D	P/N	DESCRIPTION
6	1	00434.47	Pump Hose Connector
7	2	03101.47	Hose Clamp #6
8	1	03106.45	1/2" Braided Hose
9	1	03106.47	3/8" Braided Hose

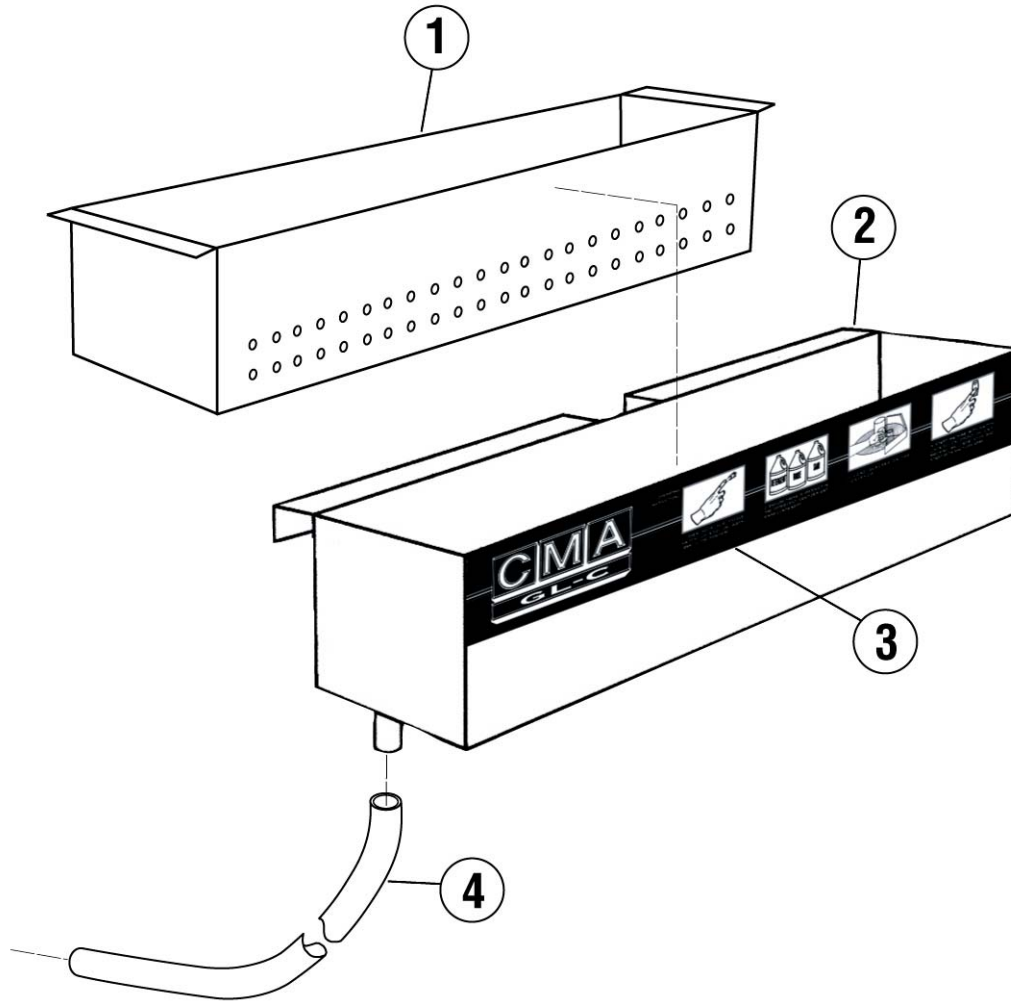
1.2.9 Drive Complete



ITEM NO.	NO. REQ'D	P/N	DESCRIPTION
1	1	16570.50	Drive Motor Housing
2	1	00810.47	Drive Motor
3	1	16570.60	Drive Motor Housing Cover
4	4	00940.50	Screw, 10-32 x 3/8"

ITEM NO.	NO. REQ'D	P/N	DESCRIPTION
5	1	00438.00	Snap Bushing Universal 875-11
6	1	00811.47	Extension Spring
7	1	00104.83	VA Drain Motor Shaft Gasket
8	1	14751.00	Drive Gear

1.2.10. GL-C Waste Collector Assy. P/N 16565.00



ITEM NO.	NO. REQ'D	P/N	DESCRIPTION
1	1	16562.00	GL-C Waste Collector Screen
2	1	16560.00	GL-C Waste Collector Tray
3	1	06231.47	GL-C Label
4	1	03106.51	Clear Vinyl Tubing 1/2" ID x 3/4"OD