



A JohnsonDiversey Company



GL-X

Chemical Sanitizing
Undercounter
Glasswasher

Item. # _____

Spec. # _____



FEATURES:

- 30 racks per hour.
- Economical to operate. Uses only 1.7 gallons of water per cycle.
- All heavy duty 304 stainless steel construction assures long life and years of trouble free operation.
- Unique spray arm system features upper and lower stainless steel wash arms with reinforced end caps.
- Built-in chemical pumps and delimiting system assures proper chemical usage.
- Convenient to service "Works-in-a-drawer". All electrical components are attached to a sliding drawer for easy access and service.
- Instant start for simple operation.
- Built-in Hot Water Assurance System guarantees hot water every cycle.
- Pumped drain allows for flexible installations. No floor drain is required.
- Wash tank sustainer heater. Keeps water at proper temperature between loads.



Upper and lower rotating wash arms guarantee excellent results.



Uses standard 19-3/4" X 19-3/4" racks. Large 11-1/4" glass clearance.



"Built in" Hot Water Assurance System provides hot water every cycle.

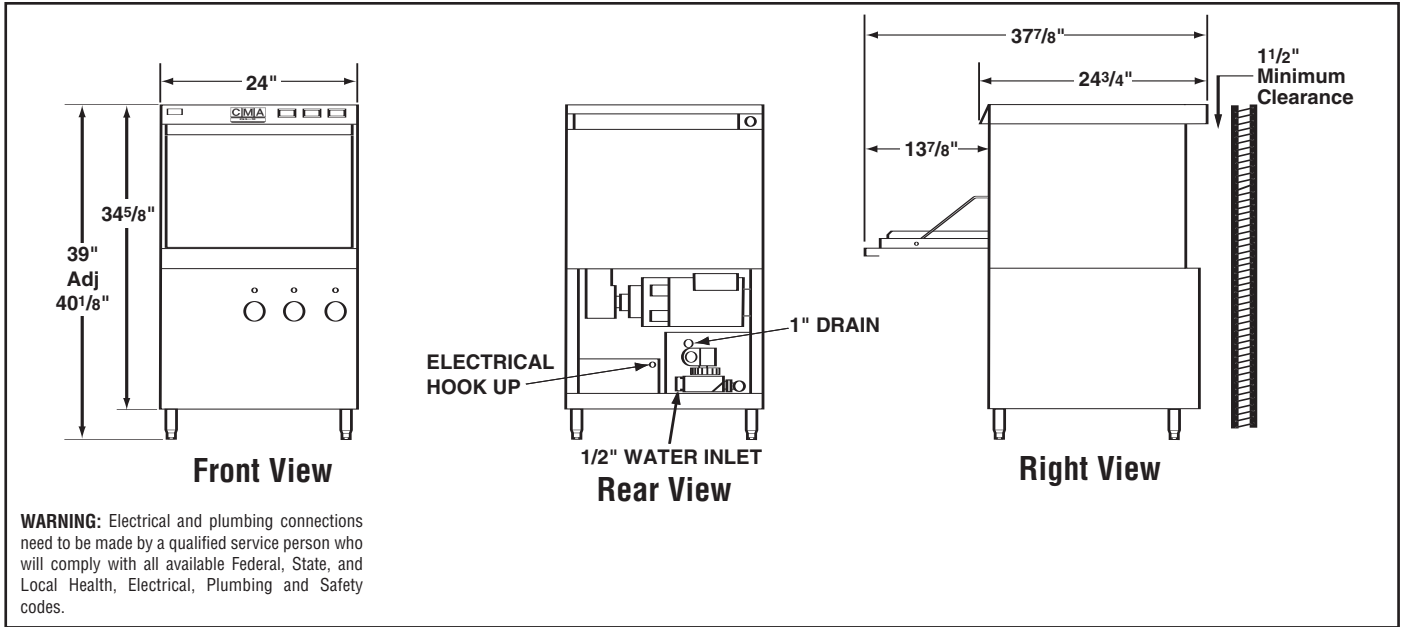


"Works-in-a-drawer". All electrical components are attached to a sliding drawer for easy access and service.

AIA # _____



A JohnsonDiversey Company



Spec. #

Specifications:

MODEL GL-X	USA	METRIC	USA	METRIC
OPERATING CAPACITY RACKS PER HOUR	30	-	WASH PUMP MOTOR HP	1
OPERATING CYCLE WASH TIME-SEC	57	57	DIMENSIONS DEPTH	24-3/4" (63cm)
RINSE TIME-SEC	48	48	WIDTH	24" (61cm)
DWELL/TIME-SEC	15	15	HEIGHT	39"-40-1/8" (99-102cm)
TOTAL CYCLE TIME	120	120	MAXIMUM CLEARANCE	
WASH TANK CAPACITY	1.7 GAL.	(6.45 L)	HEIGHT FOR GLASSWARE	11-1/4" (27.94cm)
WASH PUMP CAPACITY	35 GPM	(132 LPM)	STANDARD DISHRACK DIMENSIONS	19-3/4"X19-3/4" (50X50cm)
MINIMUM TEMPERATURE REQUIRED WASH TEMP.	120°F	(50°C)	ELECTRICAL RATING	VOLTS 115
WATER CONSUMPTION PER RACK	1.7 GAL.	(6.45 L)	AMPS	16
PER HOUR	51 GPH	(193 LPH)	SHIPPING WEIGHT APPROXIMATE	244# (110.6kg)
WATER INLET	1/2"	-		
DRAIN	1"	-		

Summary Specifications: Model GL-X

The GL-X glasswasher is designed to produce sparkling clean glassware utilizing our unique Hot Water Assurance System. The GL-X is easy to use, fast and efficient, while conserving water, energy and chemicals. Built-in booster heater provides continuous 130°F hot water every cycle. The GL-X is constructed for extended life out of heavy gauge welded stainless steel and is equipped with an integrated chemical delivery system. The GL-X incorporates a pump purging system that improves results by eliminating soil and chemical carryover during rinse cycle.

Available Options

- Stainless Steel Pedestal

AIA #