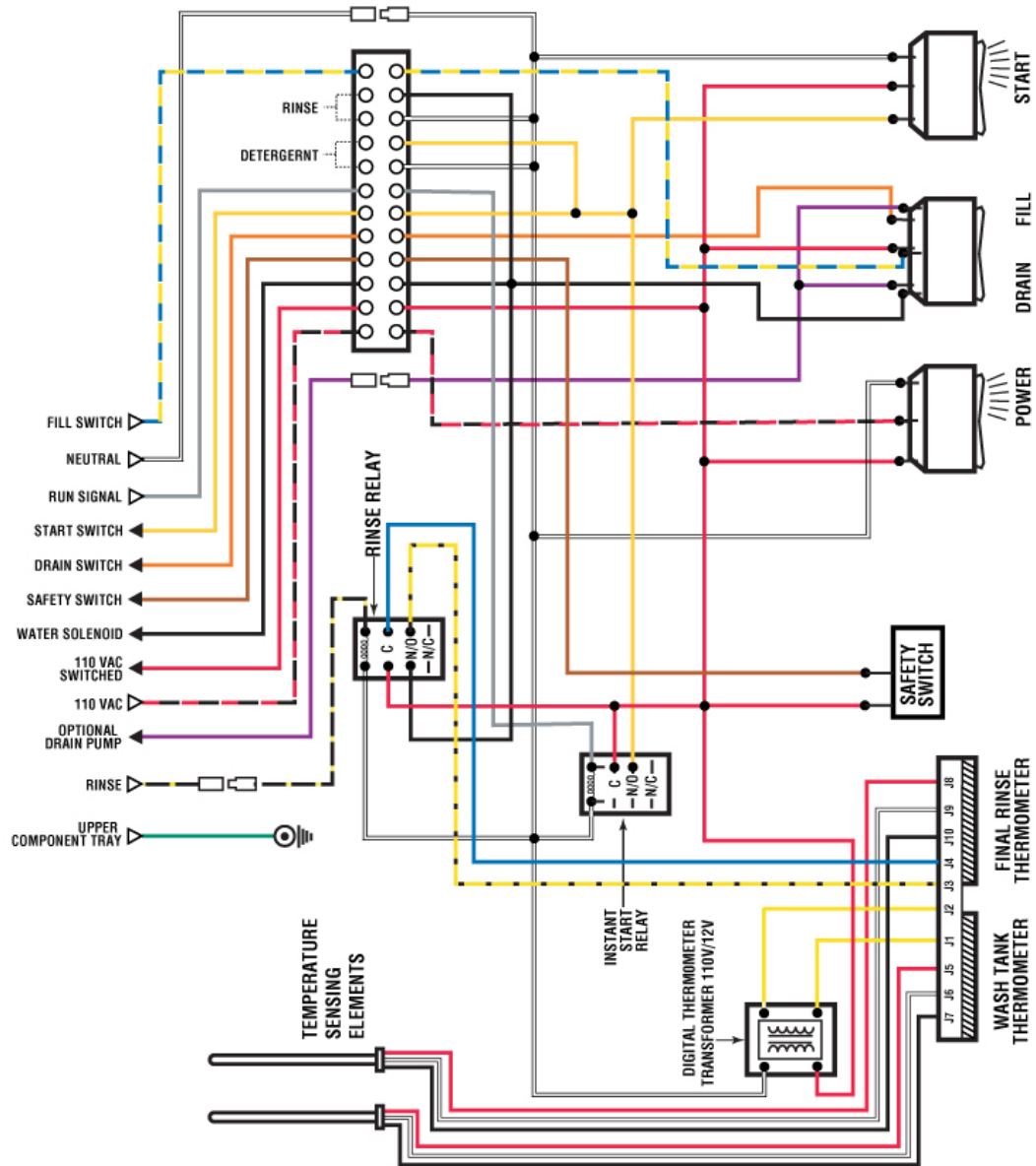


Electrical Diagram

CMA-180UC ELECTRICAL DIAGRAM CONTROL PANEL

Rev.2-5-09



CMA-180UC ELECTRICAL DIAGRAM POWER BOX

