



**180UC**  
High Temperature  
Undercounter Dishwasher

Item. # \_\_\_\_\_

Spec. # \_\_\_\_\_



**FEATURES:**

- 30 racks / 120 covers per hour.
- Automatic soil purging system. Filters wash water and traps plate debris in an external drawer. Drawer can be easily removed for dumping contents.
- Upper and lower rotating wash and rinse arms provide excellent cleaning and rinsing.
- All 304 stainless steel construction, no plastic parts to repair.
- Built-in booster heater. Economical, single source heat lowers energy costs.
- Large 14-1/2" height clearance accommodates larger dishes and half size sheet pans.
- Low water consumption. Uses only .86 gallons of water per cycle.
- Includes water pressure regulator valve.
- Pumped drain.

Patent Pending



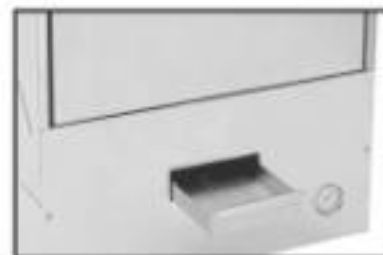
**Top mounted controls** are easy to read and simple to operate.



**Large 14-1/2" door clearance** accommodates oversized plates and utensils.



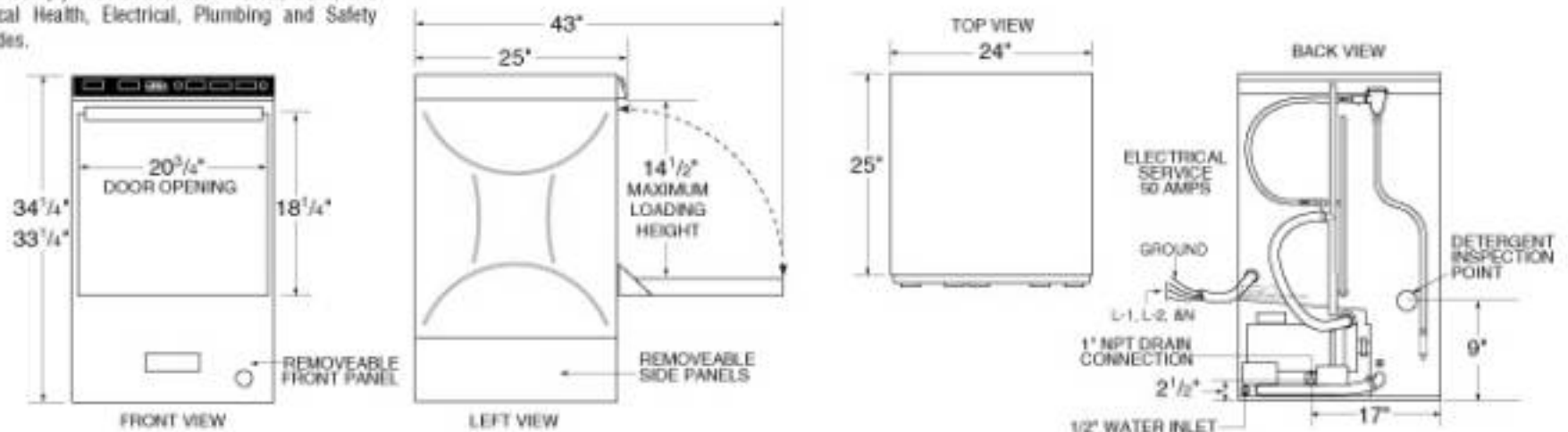
**Upper and lower rotating wash and rinse arms** blast water in all directions for optimum cleaning and rinsing.



**Soil purging system** keeps the wash water clean assuring excellent results while reducing chemical costs.

AIA # \_\_\_\_\_

**WARNING:** Electrical and plumbing connections need to be made by a qualified service person who will comply with all available Federal, State, and Local Health, Electrical, Plumbing and Safety codes.



Spec. #

### Specifications:

CMA-180UC	USA	(Metric)	CMA-180UC	USA	(Metric)
<b>WATER CONSUMPTION</b>			<b>FRAME DIMENSIONS</b>		
PER RACK	.86 GAL.	(3.25 L)	DEPTH	25"	(63.5 CM)
PER HOUR	20.6 GAL.	(77.8 L)	WIDTH	24"	(60.96 CM)
<b>OPERATING CYCLE</b>			HEIGHT	33-1/4"	(84.45 CM)
WASH TIME-SEC	94	94	MAX CLEARANCE FOR DISHES	14-1/2"	(36.8 CM)
RINSE TIME-SEC	16	16	<b>WASH PUMP MOTOR</b> 3/4 HP 3/4 HP		
DWELL TIME-SEC	10	10	<b>ELECTRICAL RATING*</b>		
TOTAL CYCLE TIME	2 MIN.	2 MIN.	208 VOLTS 230 VOLTS		
<b>OPERATING CAPACITY</b>			1 PH-60 Hz 1 PH-60 Hz		
RACKS PER HOUR	30	30	TOTAL AMPS 33.0 AMPS 35.0 AMPS		
WASH TANK CAPACITY	2.5 GAL.	(9.46 L)	BOOSTER HEATER KW 5.3 KW 6.5 KW		
PUMP CAPACITY	38 GPM	(144 LPM)	<b>*MUST CONNECT TO 50 AMP SUPPLY CIRCUIT.</b>		
<b>WATER REQUIREMENTS</b>			<b>USE #8 AWG (MIN) 90°C STANDARD COPPER WIRE</b>		
WATER INLET	140°F	(60°C)	THIS SYSTEM REQUIRES THREE POWER WIRES WHICH INCLUDES A CURRENT CARRYING NEUTRAL. AN ADDITIONAL FOURTH WIRE MUST BE PROVIDED FOR MACHINE GROUND.		
DRAIN CONNECTION	1/2"	(1.27 CM)	<b>SHIPPING WEIGHT</b>		
RINSE PRESSURE SET	1"	(2.54 CM)	APPROXIMATE		
<b>CYCLE TEMPERATURES</b>			234# (106 KG)		
WASH-°F	150° F-160° F	(65.5°C/71°C)			
RINSE-°F	180° F-195° F	(82°C/90°C)			

### Summary Specifications: CMA-180UC

The CMA Energy Miser model CMA-180UC undercounter dishwasher provides hot water (180°F) sanitizing through the use of a built-in booster heater. The unit comes standard with upper and lower stainless steel wash and final rinse arms, digital LED temperature gauges and easy to operate controls. The CMA-180UC incorporates an automatic soil purging system uniquely designed (patent pending) into the wash tank that enables the wash water to remain clean, assuring excellent results and less chemical use. The CMA-180UC is constructed entirely of 304 stainless steel. Uses standard 20"X20" dishracks and accommodates oversized plates and utensils with a 15" door clearance.

### Options Available: CMA-180UC

- 48" undercounter dishtable
- Rinse pump
- Detergent and rinse pump
- Stainless Steel Pedestal
- 4 Inch legs P.N. 1147.50 (4 needed)
- 3 Minute Cycle

AIA #

