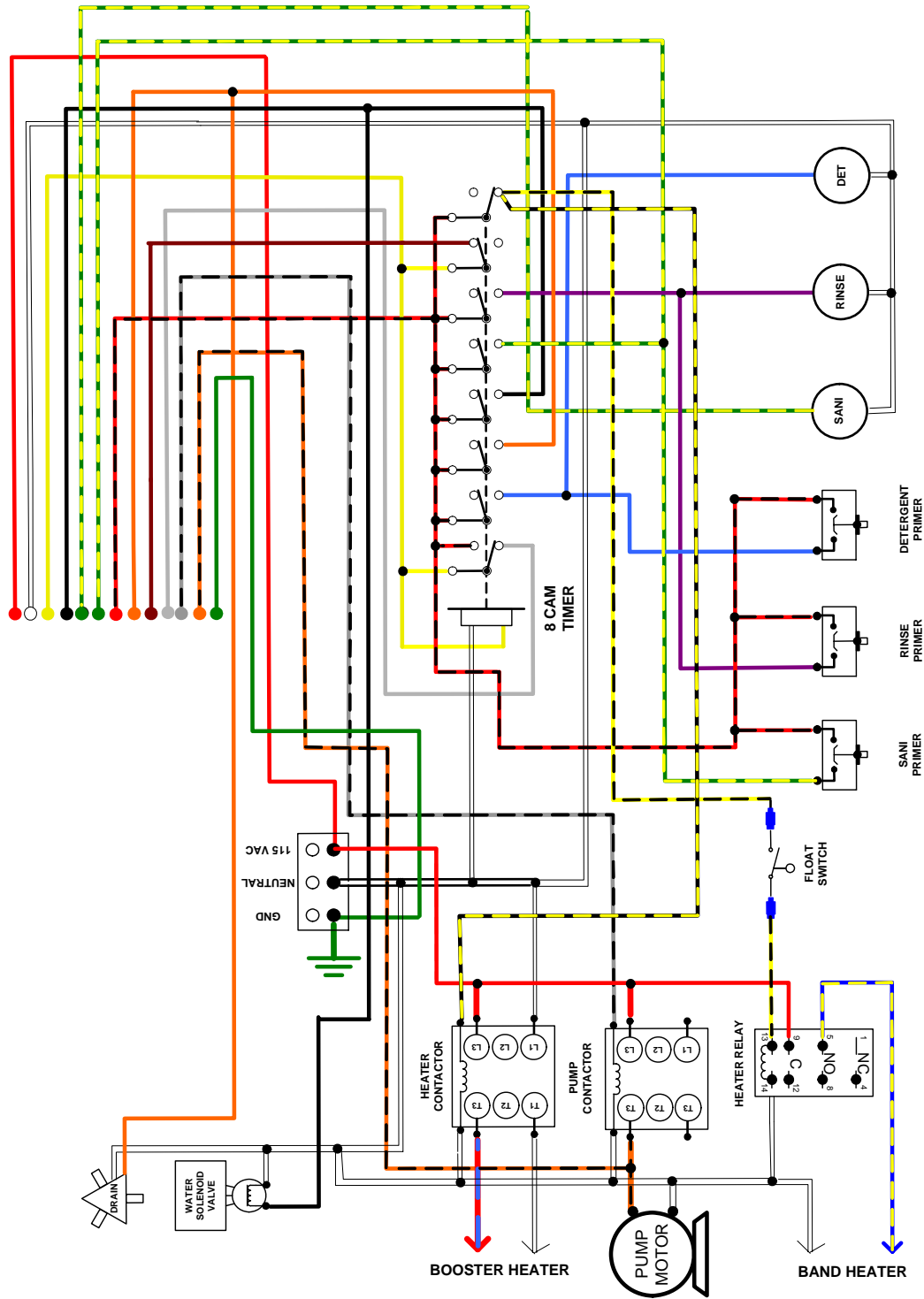


# Electrical Diagram

Rev. 1.03  
11/20/06

## WIRE DIAGRAM FOR MODEL: GL-X





# WIRE DIAGRAM FOR MODEL: GL-X

Rev. 1.02  
09/06/05

