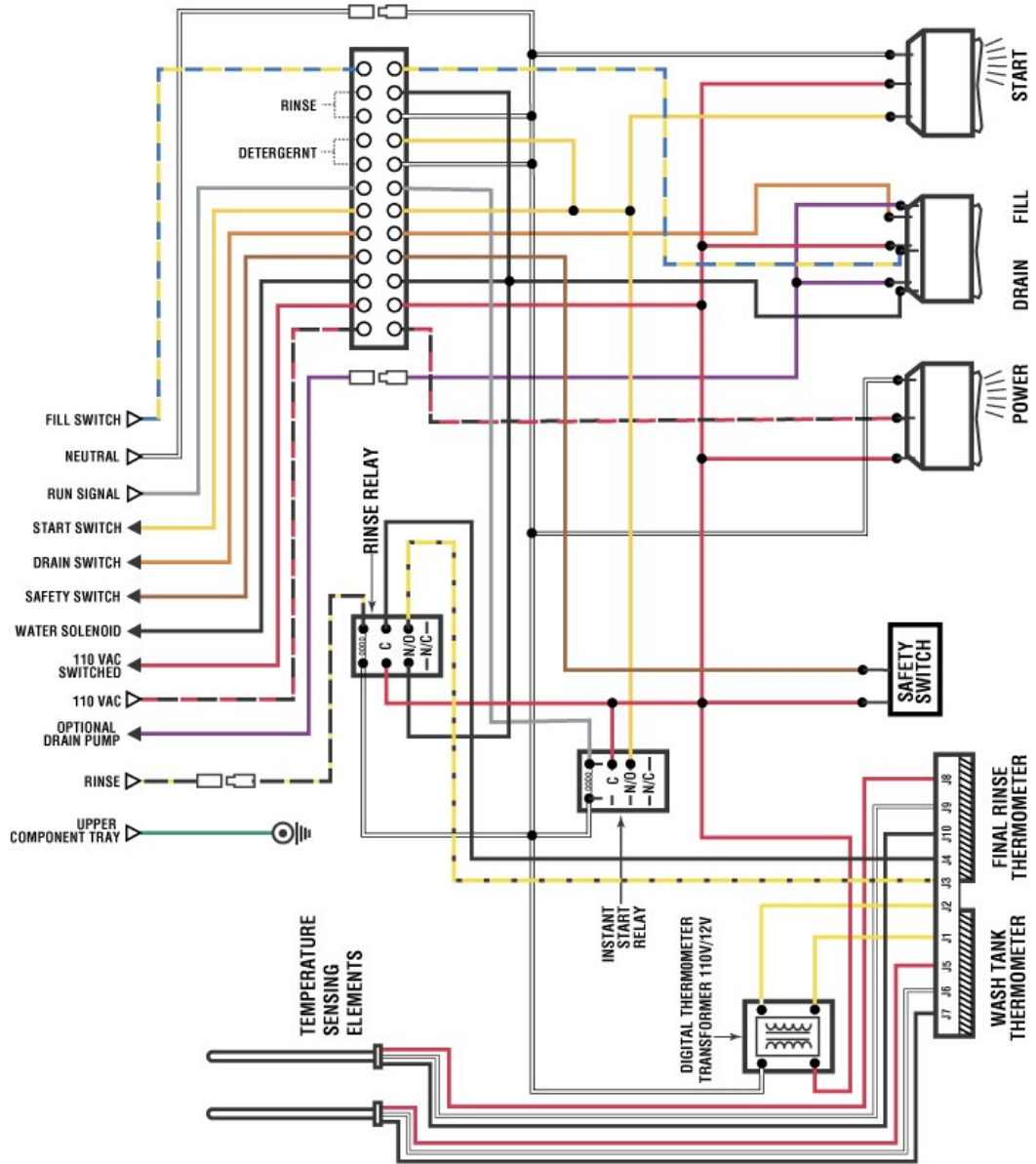


Electrical Diagram

CMA-180UC ELECTRICAL DIAGRAM
CONTROL PANEL

Rev.1-31-05



CMA-180UC ELECTRICAL DIAGRAM POWER BOX

12-12-07

