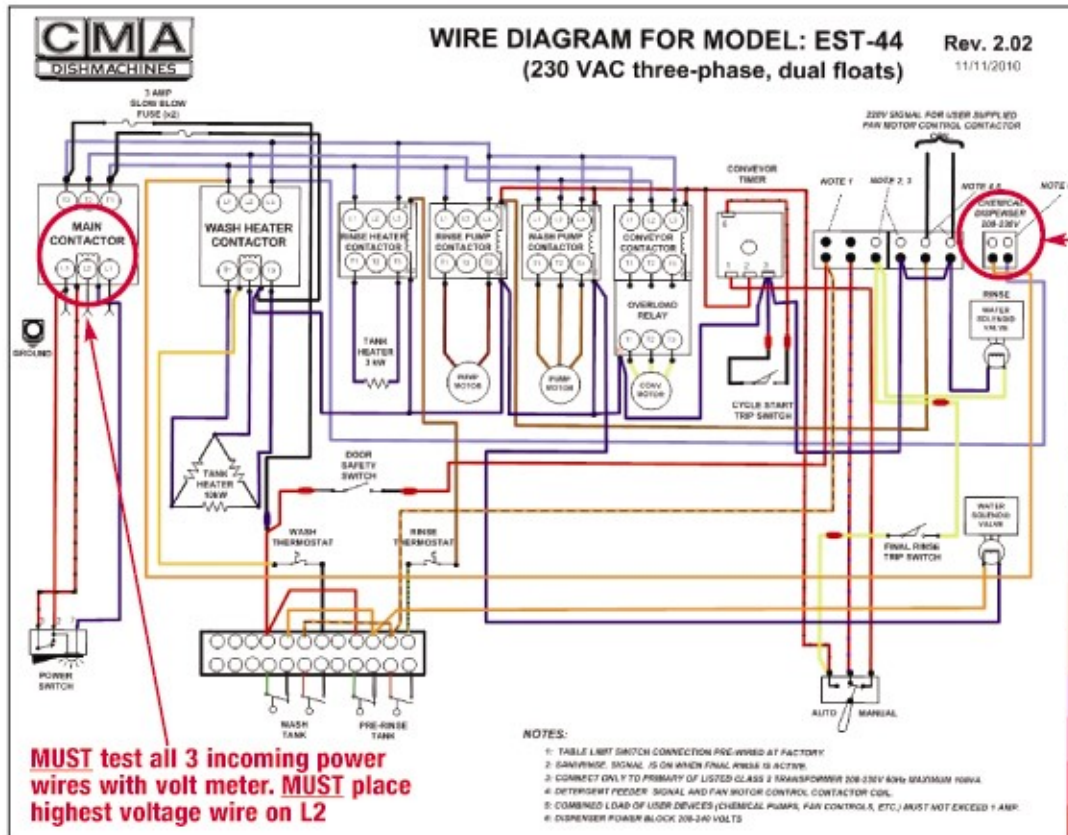


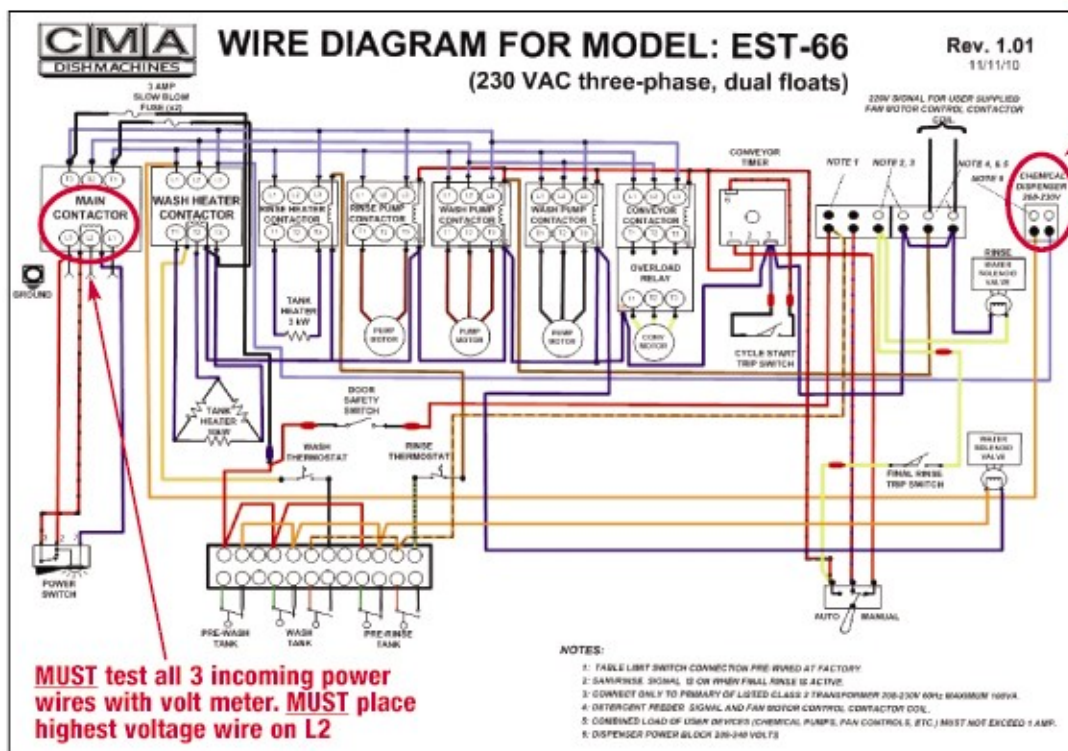
SERVICE BULLETIN

Date: MARCH 1, 2011
Log Number: 123
Models Affected: EST-44/ EST-66
Subject: EST-44/66 POWER CONNECTION



WARNING

To prevent excessive overloads and component damage, it is essential for dispenser power supply to be wired to supplied power block on all EST-44 and EST-66 Conveyors. The CMA supplied power block, for your dispenser, has been prewired to the wash heater contactor L1 and L3 terminals, to assure correct and balanced power to the dispenser and surrounding components. It is most important that, if the 3-phase power supply from the facility has a Hi-Leg (wild leg), it must be connected to L2 to prevent overloading the contactor coils.



DISPENSER POWER BLOCK 208-240V



12700 KNOTT STREET
 GARDEN GROVE, CALIF. 92841
 800-854-6417 • 714-898-8781
 FAX 714-895-2141
 www.cmadishmachines.com