



EQUIPMENT UPDATE

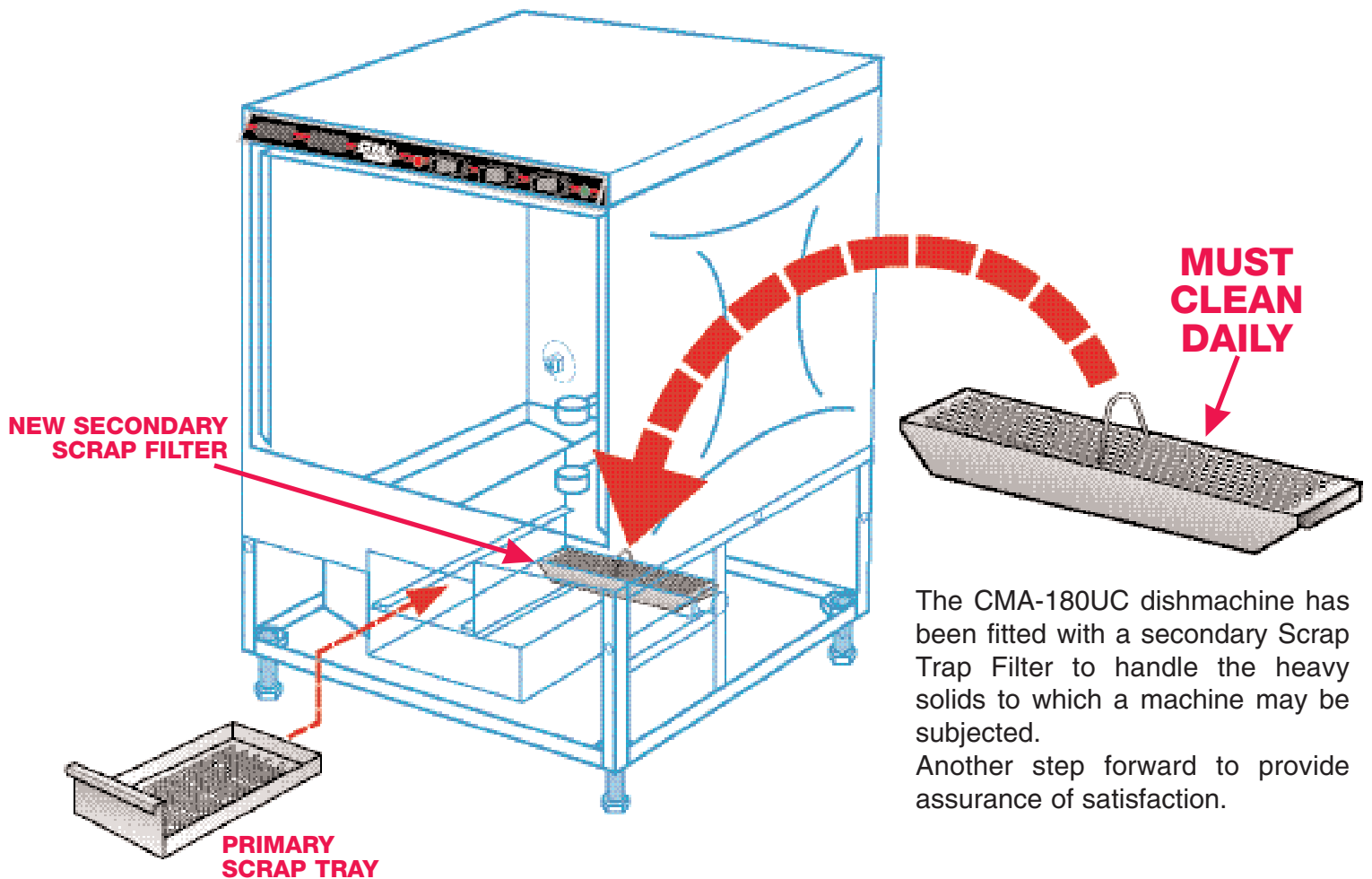
Effective Date: 10-30- 2006

Log Number: EU-10-06-382

Part Description: 180UC **NEW** Scrap Trap Filter

Models Affected: CMA-180UC

New Part Number: 14561.00



The CMA-180UC dishmachine has been fitted with a secondary Scrap Trap Filter to handle the heavy solids to which a machine may be subjected.

Another step forward to provide assurance of satisfaction.