

EQUIPMENT UPDATE



Date: 6-14-05

Log Number: EU-06-366

Part: DRAIN SPRING RETROFIT KIT

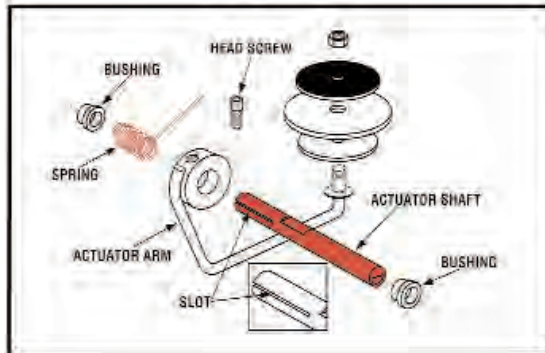
Models Affected: EVA

New Part Number: 105.50

Old Part Number: 105.81

CMA's new and improved EVA drain system. Bench and field tested for over **300,000** cycles. The new EVA drain spring retrofit kit can be adapted to machines in the field. Starting in July 2005, all EVA dishmachines will have the new style drain spring.

EVA DRAIN SPRING RETROFIT KIT P/N 105.50



INSTRUCTIONS

1. TURN POWER OFF TO DISHMACHINE FROM BREAKER AND TAG IT.
2. REMOVE DRAIN MOTOR, SHAFT AND SPRING.
3. INSPECT BUSHINGS. CLEAN AND LUBRICATE.
4. TO INSTALL NEW SHAFT AND SPRING, INSERT SHAFT THRU BUSHING AND ACTUATOR ARM (FLAT SURFACE OF SHAFT MUST FACE UP).
5. INSERT SMALL SPRING END INTO SLOT OF SHAFT. (SEE FIG. A)
6. WITH A FLAT SCREW DRIVER, TURN ACTUATOR SHAFT UNTIL FLAT SIDE OF SHAFT IS ALIGNED WITH HEAD SCREW. TIGHTEN HEAD SCREW, LONG SPRING END MUST REST WITH TENSION UNDERSIDE OF TANK.
7. REINSTALL DRAIN MOTOR.

