

# ENERGY MIZER

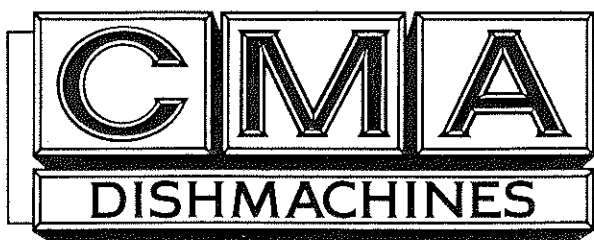
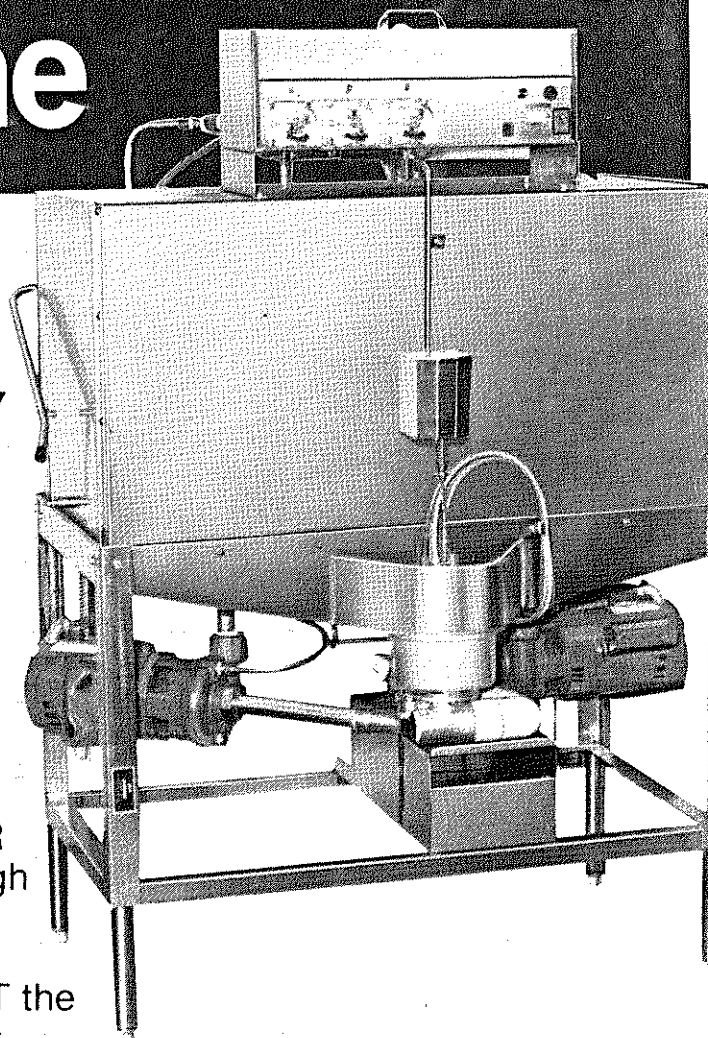
## Model B Dishmachine

### FEATURES

- TOP MOUNTED CONTROLS
- PRIMING SWITCH FOR CHEMICAL SUPPLY
- AUTOMATIC "START/STOP" SWITCH
- INTERNAL SCRAP ACCUMULATOR
- BUILT-IN "DELIMER" SWITCH
- "EZ GLIDE" NYLON DOOR GUIDES
- 3 YEAR LIMITED PARTS WARRANTY

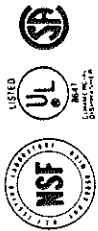
**SUMMARY SPECIFICATIONS:** ENERGY MIZER Models B (44" wide; double rack) straight through standard replacement low energy commercial dishwashing machines meet NSF, UL and CSA sanitation and construction standards WITHOUT the use of BOOSTER or TANK HEATERS. Each unit automatically washes, rinses and sanitizes food service utensils in standard 20" x 20" racks.

ENERGY MIZERS are constructed for extended life out of heavy gauge, welded stainless steel and are equipped with an integrated three peristaltic pump chemical delivery system.



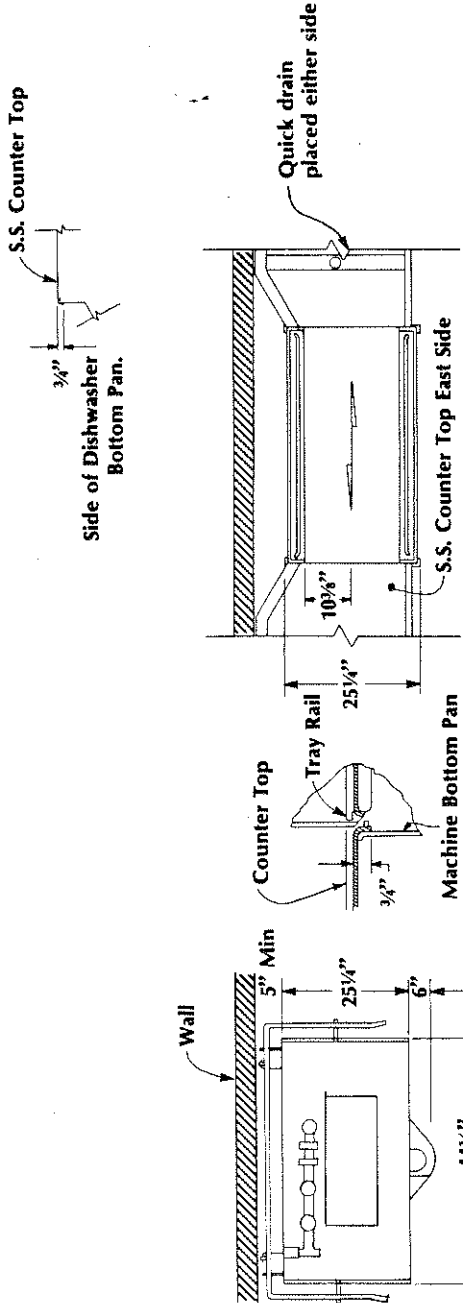
12700 KNOTT AVENUE  
GARDEN GROVE, CALIF. 92641  
800-854-6417 • 714-898-8781 • FAX 714-895-2141  
*QUALITY • INTEGRITY • PERFORMANCE • SERVICE*

DISTRIBUTED BY:



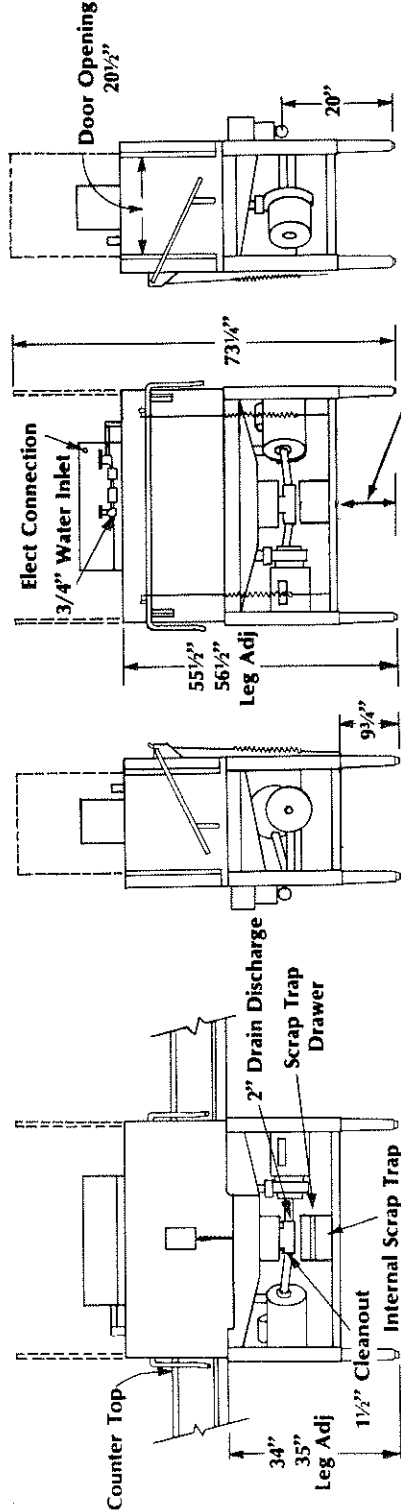
**SPECIFICATIONS:**

MODEL	B-1	B-2	(METRIC EQUAL)
OPERATING CAPACITY RACKS PER HOUR (NSF RATED)	56	74	56/74
OPERATING CYCLE	120	90	120/90
WASH TIME—SEC	57	45	57/45
RINSE TIME—SEC	48	30	48/30
DWELL	15	15	15/15
WASH TANK CAPACITY	3.0 Gal.	3.0 Gal.	(11.4 L)
WASH PUMP CAPACITY	104 GPM	104 GPM	(394 LPM)
TEMPERATURE	140°F	140°F	(60°C)
WATER CONSUMPTION PER RACK PER HOUR	1.5 Gal.	1.5 Gal.	(5.7 L)
WATER INLET DRAIN—I.P.S.	3/4"	3/4"	(1.9 cm)
WASH PUMP MOTOR (2)	1	1	1/1
HORSEPOWER	25 1/4"	25 1/4"	(64 cm)
DIMENSIONS DEPTH	44 1/4"	44 1/4"	(112 cm)
WIDTH	55 1/2"	55 1/2"	(141 cm)
HEIGHT STANDARD TABLE	34"	34"	(86 cm)
MAX CLEARANCE FOR DISHES	17"	17"	(43 cm)
STANDARD RACK	2	2	2
19 1/2" x 19 1/2" (50 x 50 cm)			
SHIPPING WEIGHT APPROXIMATE	350#	350#	(159 kg)
ELECTRICAL RATING MODELS B-1 & B-2	115 VOLTS	115 VOLTS	LOAD AMPS 25.0
	1 PHASE	1 PHASE	
	(REQUIRES CLEAN 80 AMP CIRCUIT.)		



**Track & Table Layout**

Doors in raised position Typical of all views

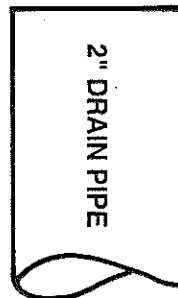
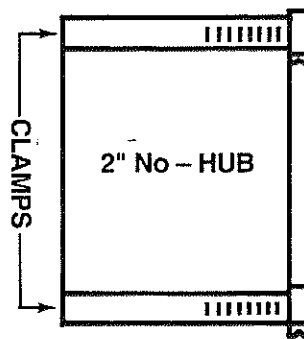
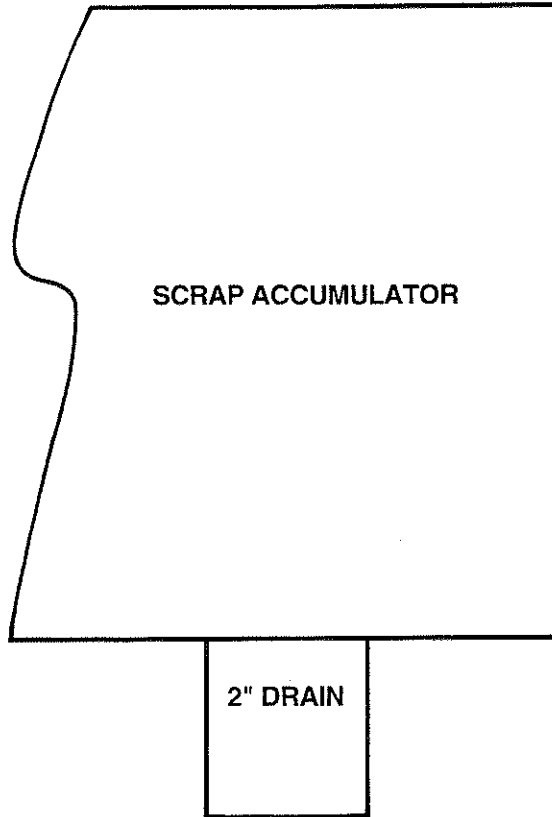


Maximum Clearance for Dishes is 17"

## SCRAP ACCUMULATOR DRAIN CONNECTION

THIS DIAGRAM ILLUSTRATES THE DRAIN CONNECTION ON THE  
SCRAP ACCUMULATOR.

The bottom connection point  
extends 9" from the floor .



## BE A PRO!

CMA dishwashers have been used worldwide for many years. This manual has been written to help YOU, the operator, in your job. Your job is one of the "most important" in this restaurant. WHY? Your product, the dishes and glasses, is the first thing the customer notices when he sits down. Clean, sparkling dishes and silverware will set the mood for the customer when he observes the table setting.

Customers mean profit and profit means jobs -- yes, your job. The cook, the waiters, and the manager -- you are all a part of a team. The CMA dishwasher is a tool, which you can use, to make your job easier and which will help you deliver clean dishes to the customer.

This manual is divided into three sections. Sections One and Two cover start-up and dish handling, and Section Three covers trouble shooting.

### SECTION ONE: STARTING INSTRUCTIONS

#### A. Start-up

1. Drain water if it is cold by lifting dreain ball until all water is out of the machine.
2. Check drain screen and clean.
3. Replace it properly into the sump housing.
4. Check wash arm spray tips. If clogged, clean with toothpick and rinse at sink.
5. Check chemical lines to chemical containers.
  - a. Red - detergent line.
  - b. Blue - rinse agent line.
  - c. Clear/White - sanitizer destainer line.
6. Replace wash arm and drain screen, (For the first wash cycle only) Press fill switch, fill until water is 1/2" lower than overflow on drain ball shaft or to the bottom of splash shield.
7. Hold fill switch in until water level is proper and check temperature (should be approximately 140°F; 60° Celsius).
8. Insert tray of dishes into machine and close doors. Machine will automatically start when doors are closed.
10. After the machine stops, raise doors, remove trays, and allow to dry before stacking.
11. If the doors are lifted during a wash cycle, the machine will automatically shut off.

The CMA dishmachine will complete the wash and rinse cycle and automatically feed the proper chemical and turn itself off.

**Step 6: WATER SUPPLY:**

CMA dishwashers should be fed by a 3/4" hot water line. The time necessary to deliver water to the machine is controlled by the number four cam. This cam provides the serviceman with the opportunity to fine-tune the machine to deliver the proper amount with each cycle. Refer to the service manual for an indepth discussion of this procedure.

**Step 7: ACTIVATING MACHINE:**

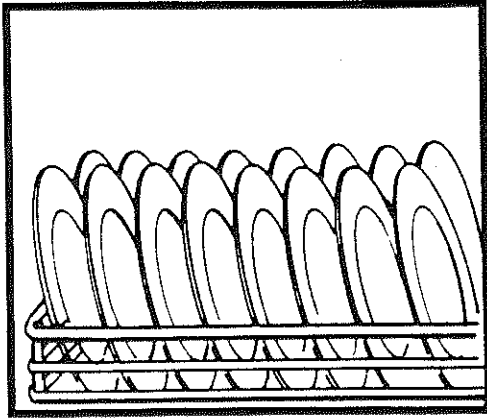
The machines are equipped with prime switches to activate the peristaltic pumps at any time the master switch is "ON".

Following completion of the installation, always fill the machine with water before the machine is started.

- A. Hold the fill button until the water level is approximately 1/2" to 3/4" below the overflow hole in the PVC standpipe. This water level should be approximately even with the bottom edge splash guard in sump area of machine.
- B. Activate the prime switches for the three chemical pumps until the product is discharging into the sump.
- C. To start the machine, close the doors and the machine will cycle automatically.

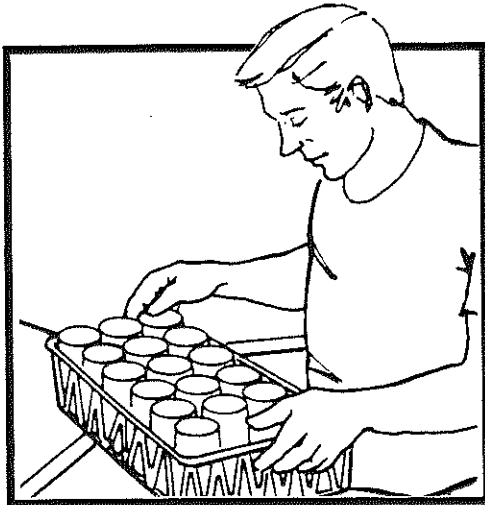
The amount of product delivered by each cam is controlled by changing the opening in each cam. When the micro switch rides down into the cam, the peristaltic pump motor begins to rotate. It will continue to rotate until it rides up out of the groove. Therefore, to extend the amount of product delivered to the machine, open the groove; to reduce the amount of product delivered to the machine, close the groove. Cams are slip fit. A cam adjustment wrench is provided, but the cam can be adjusted with a small screwdriver or the edge of a table knife.

Technical personnel are available during normal business hours should you, as an installer, have any questions. CMA machines require minimum maintenance and offer prolonged service. We are here to serve you at (800) 854-6417 Located at CMA, Garden Grove, California..



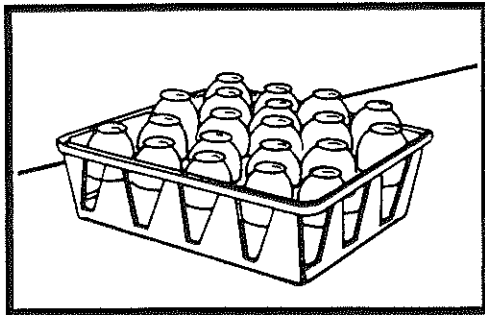
**PROPER RACKING**

Note in the illustration that the plates are racked without overlapping and that the sprays from the top spray arm will strike the food contact surfaces of the dishes (the face of the dishes).



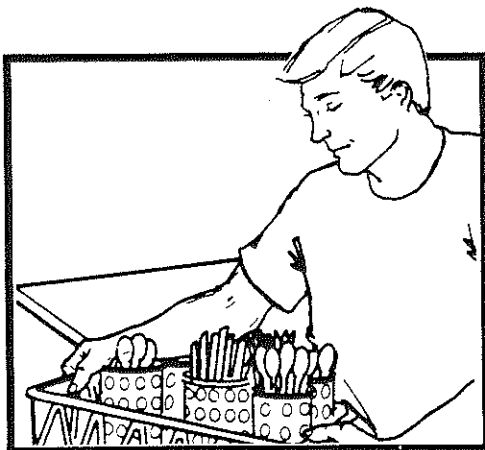
**GLASS RACKING**

**Racking glasses:** Glasses, cups, bowls, and other deep dishes must be racked face down so as not to carry out wash water and so the sprays can work on the internal surfaces. Rack glasses and cups in a properly sized compartmentalized glass rack. Allow to air dry. Glass washing is very important. A customer may gain his first impression of an establishment when he is served his glass of water.



**CUP RACKING**

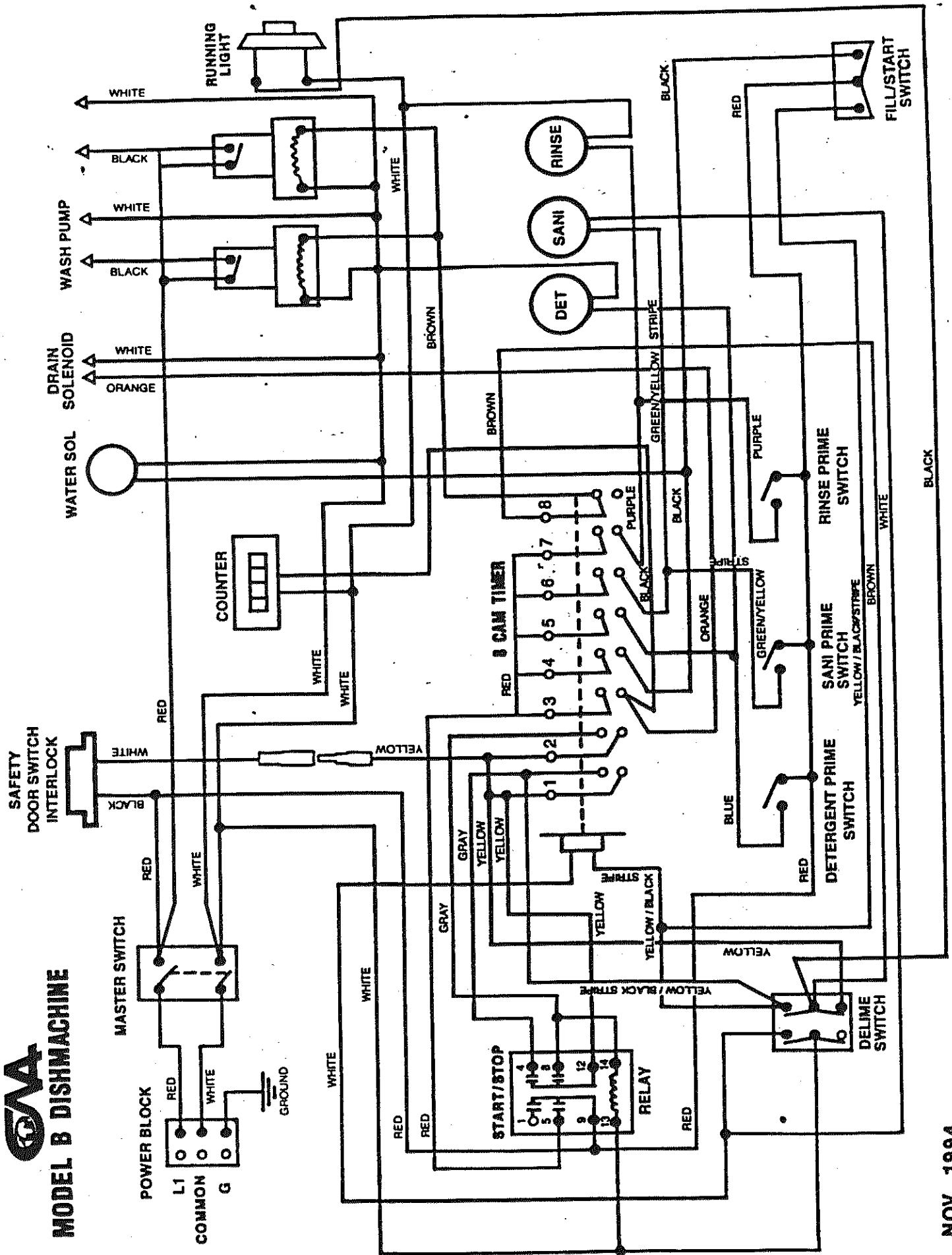
They should be placed in the racks upside down in each compartment. The rinse additive is injected into the rinse water to prevent spotting and speed the drying process. (Note: The CMA representative can help you select the proper glass rack for your glasses).



**WASH BASKET**

**Racking flatware:** Flatware may be washed in many ways. It is recommended that all flatware be presoaked in a deep pan, generally a bus pan, using a presoak detergent. This will prevent drying or adhering of soil on flatware and reduce tarnishing. A presoak detergent is especially useful for the removal of protein soil such as egg, syrup, etc. It is recommended that 30 minutes be allotted for presoaking, if possible. After presoaking, the flatware is placed in a wash basket with handles down to prevent them from "nesting" which provides maximum exposure to the wash process.

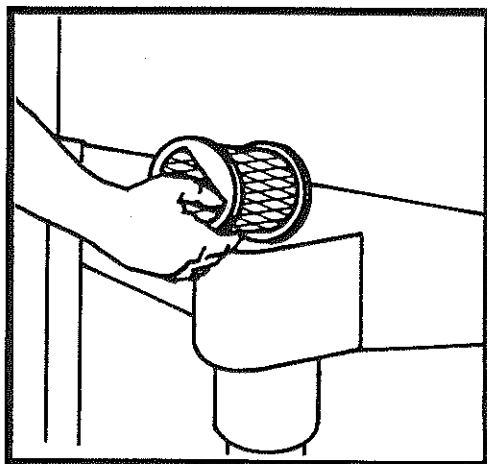
# GMA MODEL B DISHMACHINE





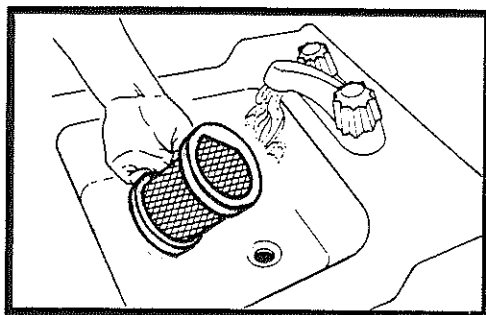
**SORTING FLATWARE**

**Stacking and storage:** Stacking and storage of dishes being washed and sanitized is very important. A dish may be perfectly washed but be completely contaminated from the handling after washing. Avoid storing dishes where they may be soiled. Handling dishes with the hand on the food contact surfaces should be reduced to a minimum (towel drying is an incorrect procedure). Do not stack plates and dishes higher than 12 inches. Their combined weight can destroy the porcelain surface on the bottom plates.



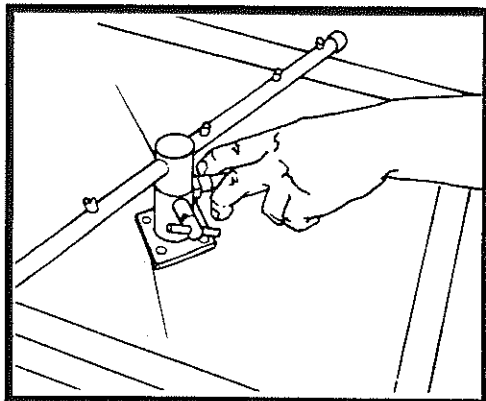
**REMOVE SCREEN**

**Cleaning the CMA dishwasher:** Certain times of the day should be allotted to cleaning the CMA dishwashing machine. Following the cleaning and inspection procedures listed below.



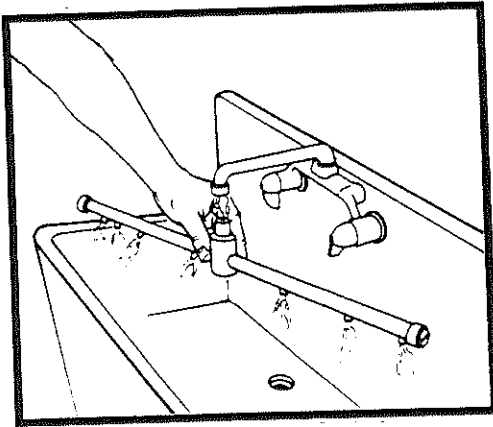
**CLEAN SCREEN**

**Cleaning the drain screen:** Remove drain screen (see illustration) and thoroughly clean all foreign material from screen as shown in the illustration. **DO NOT BANG THE SCREEN ON THE TABLE TO JAR FOOD LOOSE.** Use the faucet or prerinse hose. Re-install drain screen and ensure that it is in proper position.

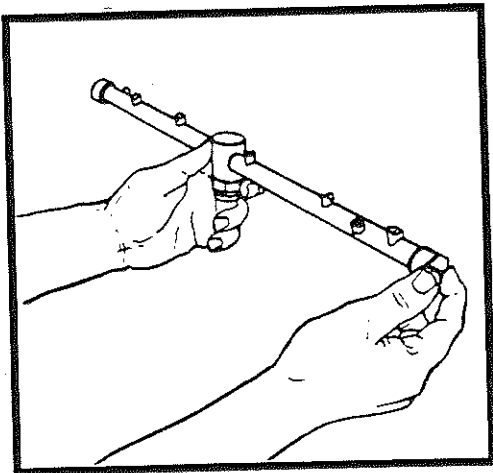


**REMOVE WASH ARM**

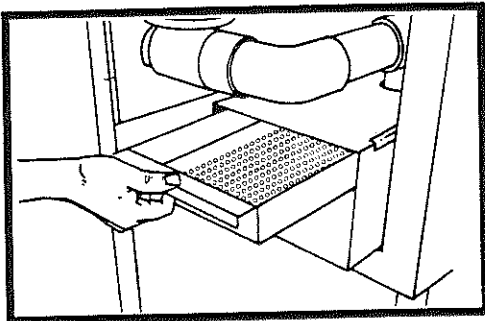
**Cleaning the wash arms:** Inspect the upper and lower spray arms to ensure they are not clogged with food scraps. Otherwise, full and uniform spray pressures will not be delivered to the soiled dishes.



**CLEAN WASH ARM**



**RE-INSTALL WASH ARM**



**EMPTY SCRAP TRAY**

If there is any question as to the spray arm nozzles being clean or food scraps, the spray arms should be removed and cleaned. Note that water will blow from all jets if they are open. Use toothpick to open clogged jets and flush to ensure food scraps are out of the arm. If necessary, the stainless plug in the end of the arm can be unscrewed and removed to clean the inside of the arm tube at the sink.

After the arm has been thoroughly cleaned, re-install by threading counter-clockwise back into the base. Finger tighten only.

**Check operation:** Operate the machine for one cycle with the doors open (motor will not operate). Watch detergent, sanitizer, and rinse additive "delivery tubes" at the point where they inject chemical into machine. Remember: red tube - detergent; blue tube - rinse; and clear/white tube - sanitizer. Check temperature at the end of the cycle for 140°F (60° Celsius).

**Cleanup:** Wipe down the machine and check the chemical level in the containers. Also inspect machine for leaks or other items that might cause trouble during a rush period. You are now ready to wash dishes.

**Remember:** The chemical containers should be saved for pickup by the serviceman during his regular call. Don't throw them in the trash bin.

**Empty the Scrap Tray:** Remove scrap tray drawer "and thoroughly rinse out". Clean tray after each meal, or once each hour, if very busy.

## SECTION THREE: TROUBLESHOOTING THE OPTIMIZER.

### A. Won't Start:

1. Check master switch on the control box to make sure that it is "ON".
2. Check circuit breaker which services the dishwasher. Make sure it is "ON".
3. After (ONLY after) checking steps 1 and 2, call the CMA service technicians.

### B. Out of Chemicals:

Check backup supply of chemicals. REMEMBER! Red product label to red tube, blue product label to blue tube, and clear/ white product label to clear/ white tube. Note that sometimes extra product is left in storage area, at the direction of the restaurant manager; Before calling the CMA service technicians, check with the manager for backup supplies.

### C. Dishes/Glasses are Not Clean

1. Before you call the CMA service technicians, check your temperature gauge on the machine. Check to insure water temperature is at least 120°F. The CMA dishwasher must have hot water delivered from the primary heater at 120° to 140°. If temperature is OK, then...
2. Check that your water softener contain salt and is operating properly. Your service agreement from CMA calls for hot/soft water.
3. Check that dishes are racked properly. Check the screen and wash arm tips; if they are clear, call us, the CMA service technicians.

### D. Machine Won't Hold Water

Check the drain actuator for a knife, spoon, fork, or foreign material; then remove.

### E. Water Running on the Floor

If it is running from the scrap accumulator, the scrap drawer may need to be cleaned. If not, call your plumber; the drain is clogged.

### F. Water Won't Drain From The Machine

Check the drain sump for obvious clogging. If not, call the CMA service technicians.

### G. Water Coming Out of the Door (going all over)

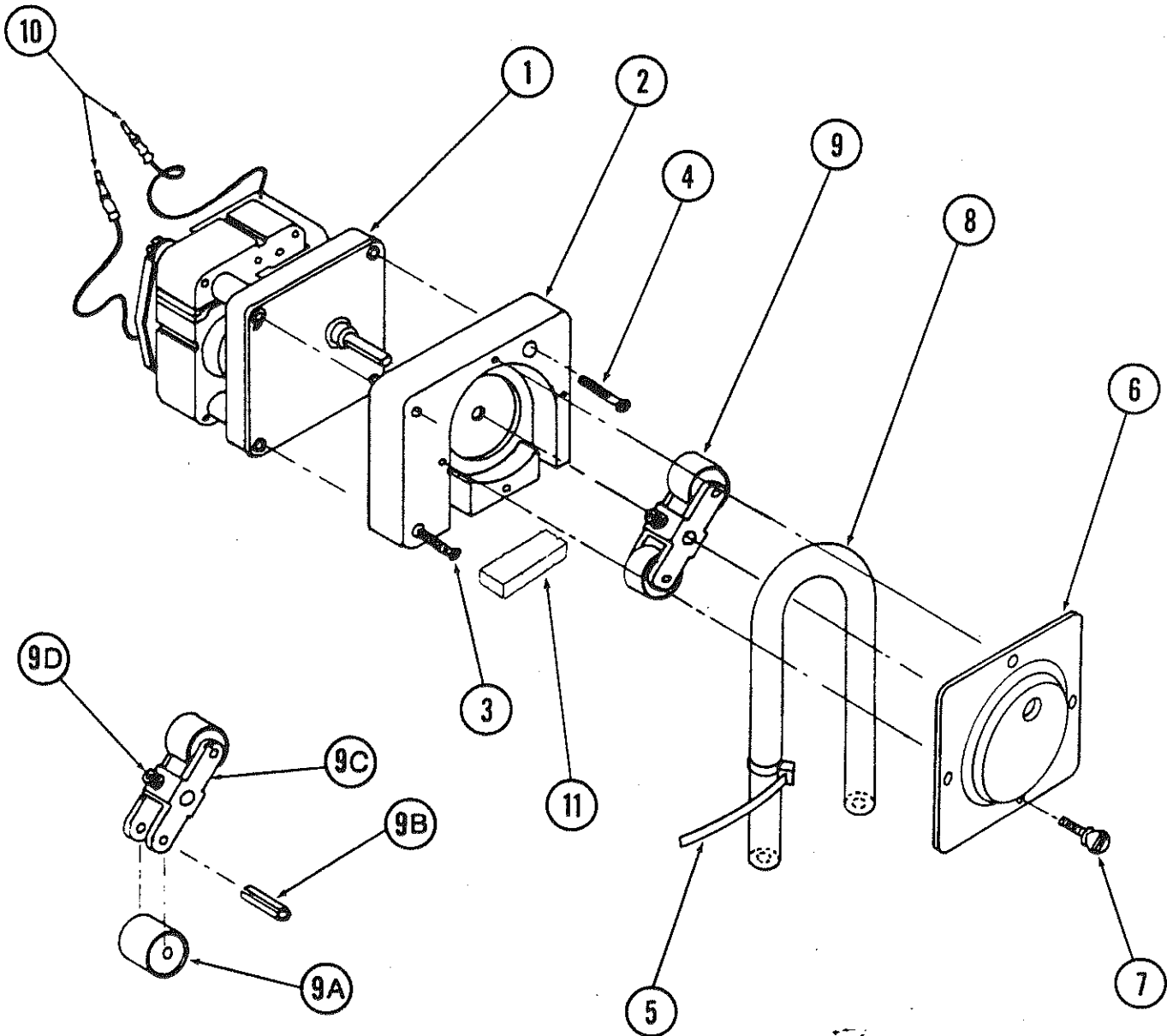
Someone didn't replace the end plugs on the wash arm or didn't tighten them. Check inside the scrap accumulator drawer. If the end plug came off during operation, it will be inside the scrap tray next to the machine. Simply replace ; if it is lost, call us, the service technicians people.

### H. Machine Won't Shut Off

You can turn off the machine in an emergency by turning off the master switch located on the back of the control box. After turning off master switch, call the CMA service technicians.

### I. Machine Won't Fill

Check fill valve on the top of the machine. Make sure "handle" is turned on; if it is , call us, the CMA service technicians.

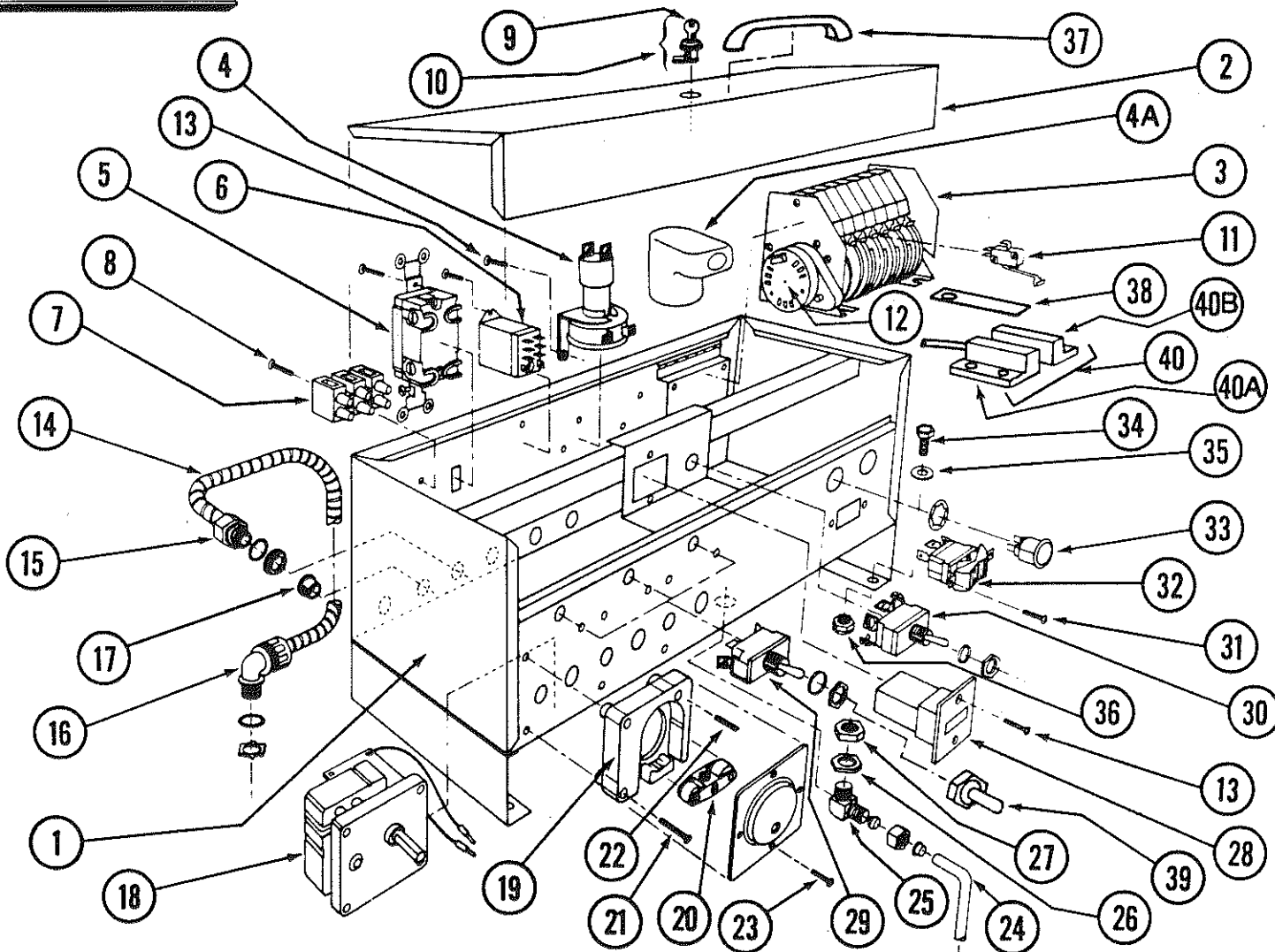


ITEM NO.	NO. REQ'D	DESCRIPTION
1	1	P/N 00416.00, Peristaltic Pump Motor
2	1	P/N 00417.00, Peristaltic Pump Block
3	2	P/N 00919.00, 1- 32x1-1/2" Pan Head Screw
4	1	P/N 00918.00, 10 - 32x1-1/2" Fillister Head Screw
5	2	P/N 00931.00, Twist Tye - Small
6	1	P/N 00418.00, Peristaltic Pump Block Cover
7	4	P/N 00973.00, 8 - 32x1/2" Thumbscrew
8	1	P/N 00435.00, Squeeze Tube

ITEM NO.	NO. REQ'D	DESCRIPTION
9	1	P/N 00419.00, 2 Bearing Rotor Assembly
9A	-	P/N 00423.00, Rotor Bearing
9B	-	P/N 00422.00, Rotor Bearing Pin
9C	-	P/N 00424.00, Rotor Bearing Carriage
9D	-	P/N 00935.00, 1/4" - 20 x 1/4" Allen Screw
10	2	P/N 00448.00, Barrel Connector (male)
11	1	P/N 00420.00, Felt Pad (Optional)

\* P/N For Complete Assembly is 00415.00

# CONTROL BOX ASSEMBLY

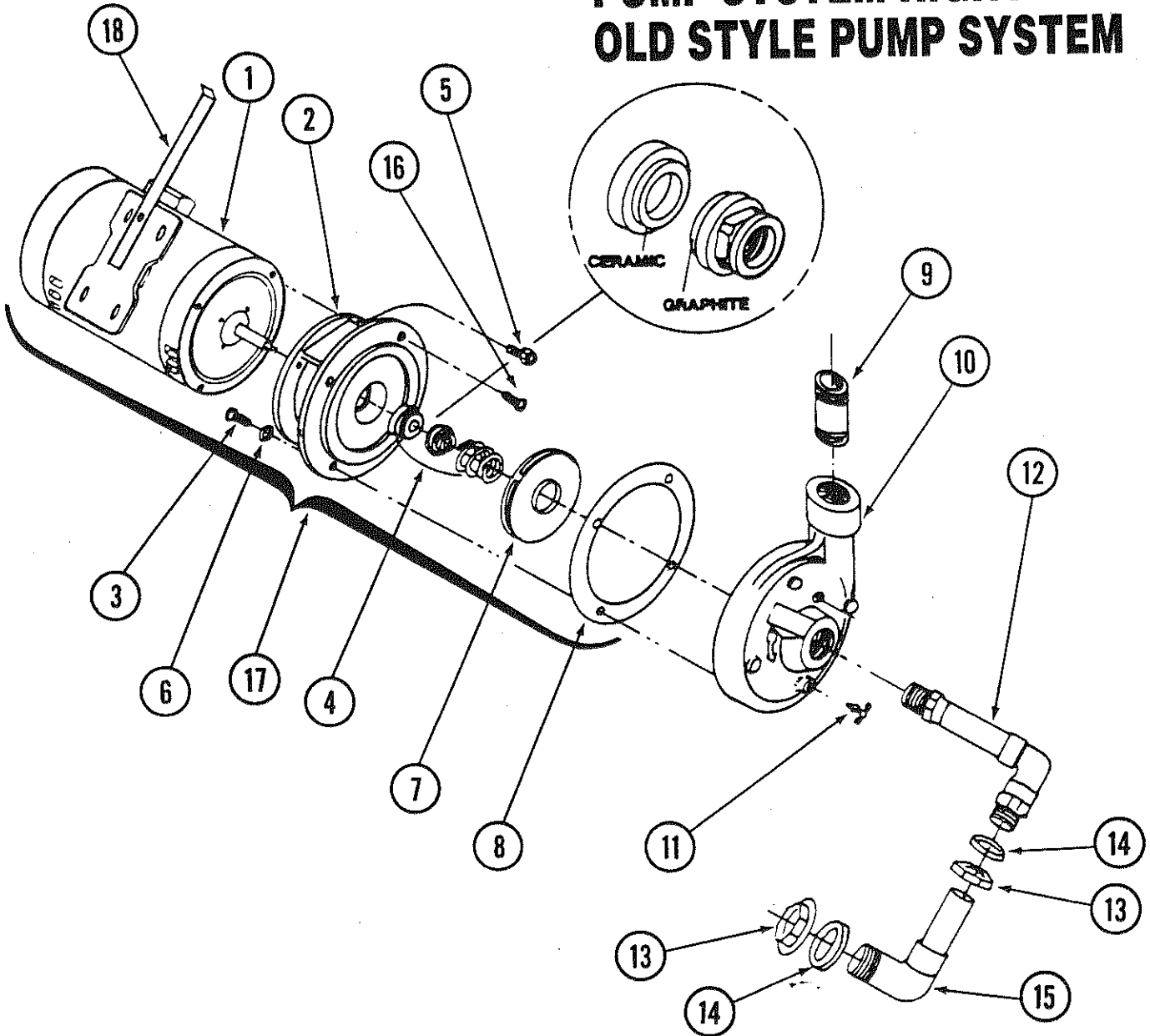


ITEM NO.	NO. REQ'D	DESCRIPTION
1	1	P/N 01503.14 Control Box TM - A. AH. B. C. W/Ext. Pumps
2	1	P/N 01504.14 Control Box Lid - A. AH. B. C. W/Ext. Pumps
3	1	P/N 00407.80 Timer 90 Sec. 8 Cam
4	2	P/N 00404.00 Mercury Relay (Single)
4A	2	P/N 00404.70 Vinyl Coil Cover
5	1	P/N 00433.00 Master Switch (30 Amp)
6	1	P/N 00631.00 Ice Cube Relay
7	1	P/N 00454.10 3 Pole Socket Terminal Block
8	4	P/N 00911.00 8 - 32 x 1/2" Panhead Screw
9	-	P/N 00450.00 Key - Only
10	1	P/N 00449.00 Lock & Key
11	-	P/N 00411.00 Microswitch for Timer
12	-	P/N 00500.00 90 Sec. Timer Motor
13	4	P/N 00911.50 8 - 32 / 3/8" Panhead Screw
14	AR	P/N 00400.00 Conduit 3/8" Sealtite
15	2	P/N 00401.00 St. - 3/8" Straight Connector
16	4	P/N 00402.00 St. - 90 Deg. 3/8" Connector
17	4	P/N 00438.00 Snap Bushing 875-11
18	3	P/N 00416.00 Peristaltic Pump Motor
19	3	P/N 00417.00 Peristaltic Pump Block
20	3	P/N 00419.00 Peristaltic Pump Rotor

ITEM NO.	NO. REQ'D	DESCRIPTION
21	6	P/N 00919.00 10 - 32 x 1-1/2" Panhead Screw
22	3	P/N 00918.00 10 - 32 x 1-1/2" Filister Screw
23	12	P/N 00973.00 8 - 32 x 1/2" Thumbscrew
24	1	P/N 00464.07 3/8" SS Tubing (TM - A/B for Solenoid Wire)
25	1	P/N 00436.00 3/8" in 90 Deg. Ell Comp x MIP
26	1	P/N 00712.00 3/8" Jamb Nut - Plated
27	1	P/N 00712.30 3/8" Jamb Nut - Standard
28	1	P/N 03408.50 Counter (Panel Mount - Small)
29	3	P/N 03470.00 Primer Switch (Momentary)
30	1	P/N 00475.00 Delimer Switch DPDT 15 Amp
31	2	P/N 00421.51 6 - 32 x 1/4" SS Panhead Screw
32	1	P/N 00421.50 Start/Fill Switch 3 Pole Bolt
33	1	P/N 00476.00 Running Light 120 (1" D) Green
34	4	P/N 00914.00 1/4 - 20 x 3/4" Hexhead Bolt
35	4	P/N 00922.00 1/4" Lock Star Washer
36	4	P/N 00912.00 1/4" - 20 Lock Nut
37	1	P/N 00535.00 Control Box Lid Handle
38	1	P/N 01514.00 Timer Support Tab
39	3	P/N 00470.10 Toggle Switch Rubber Boot
40	1	P/N 00558.50 Magnetic Reed Switch Both Pieces
40A	-	P/N 00558.60 Magnetic Reed Switch Magnet
40B	-	P/N 00558.55 Magnetic Reed Switch Only

P/N 01115.33 Includes everything on this page

**PUMP SYSTEM RIGHT  
OLD STYLE PUMP SYSTEM**

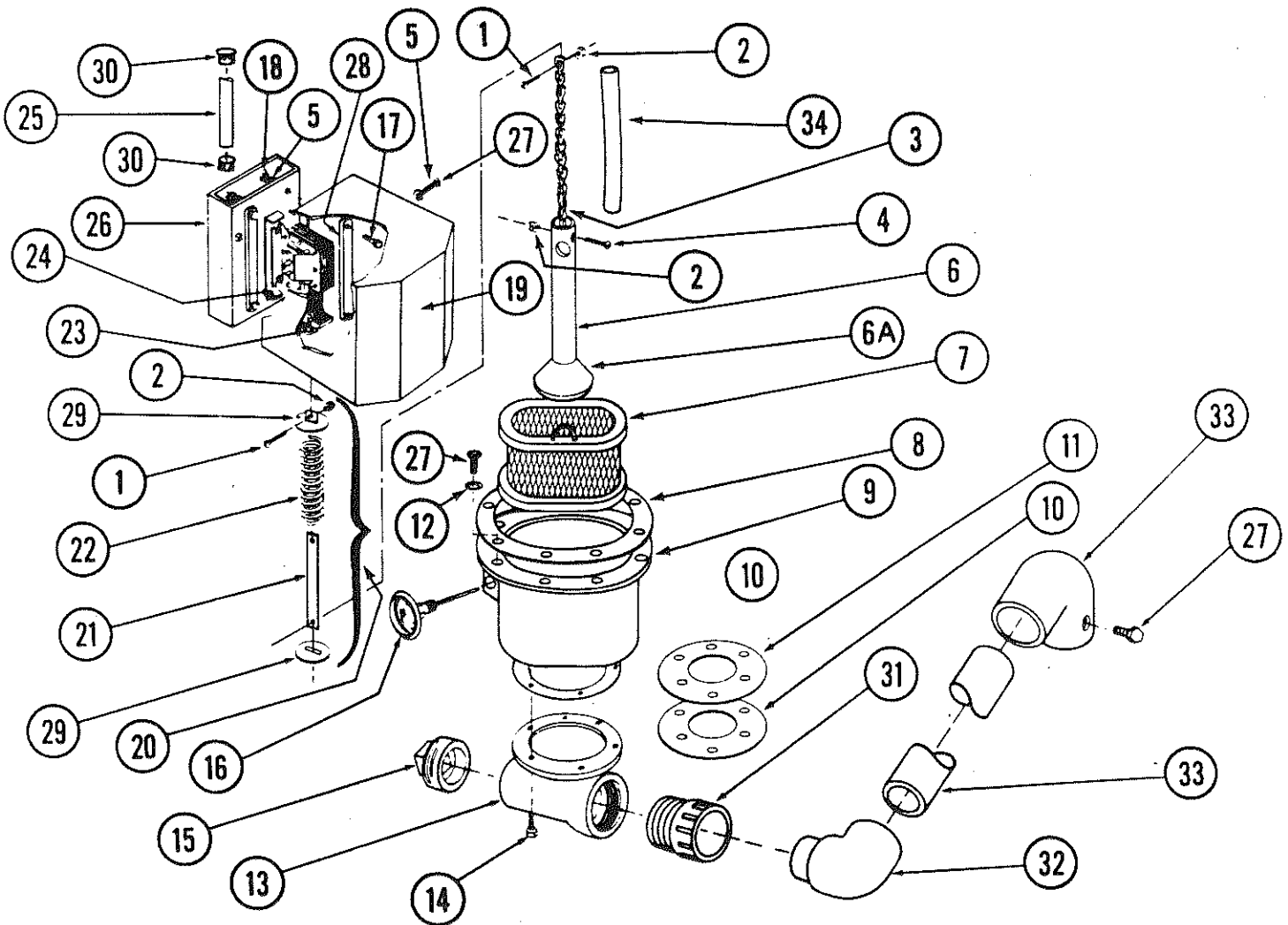


ITEM NO.	NO. REQ'D	DESCRIPTION
1	1	P/N 00201.00, Pump Motor 1 hp. 120-220V/60HZ
2	1	P/N 00202.00, Pump Base Large
3	4	P/N 00908.00, 5/16" - 18 x 5/8" Hex Head Bolt
4	1	P/N 00206.00, Pump Seal Kit
5	3	P/N 00901.00, 5/16 - 18 x 1" Hex Head Scr
6	4	P/N 00926.00, 5/16 ss Washe
7	1	P/N 00203.00, Closed Impeller
8	1	P/N 00205.00, Pump Gasket
9	1	P/N 00759.54, 1" x 3 1/2" ss Nipple

ITEM NO.	NO. REQ'D	DESCRIPTION
10	1	P/N 00204.00, Pump Cover Large
11	1	P/N 00220.00, 1/8" Petcock
12	1	P/N 12222.03 Pump Intake Assy (B-RT)
13	2	P/N 00207.00, 1 1/2" x 1 1/4" Slip Joint Nut
14	2	P/N 00208.00, Slop Joint Nut Gasket
15	1	P/N 00241.50 Sump Suction Elbow (B-RT)
16	1	P/N00920.00, 5/16 - 18 x 3/4" Hex Head Scr
* 17	-	P/N 00200.00 Pump Assy (Closed Impeller)
18	1	P/N 13916.00 Motor Support Bracket

\*Includes # 1, 2, 4, 5, 7, 8, Already Assembled

# DRAIN SYSTEM ASSEMBLY

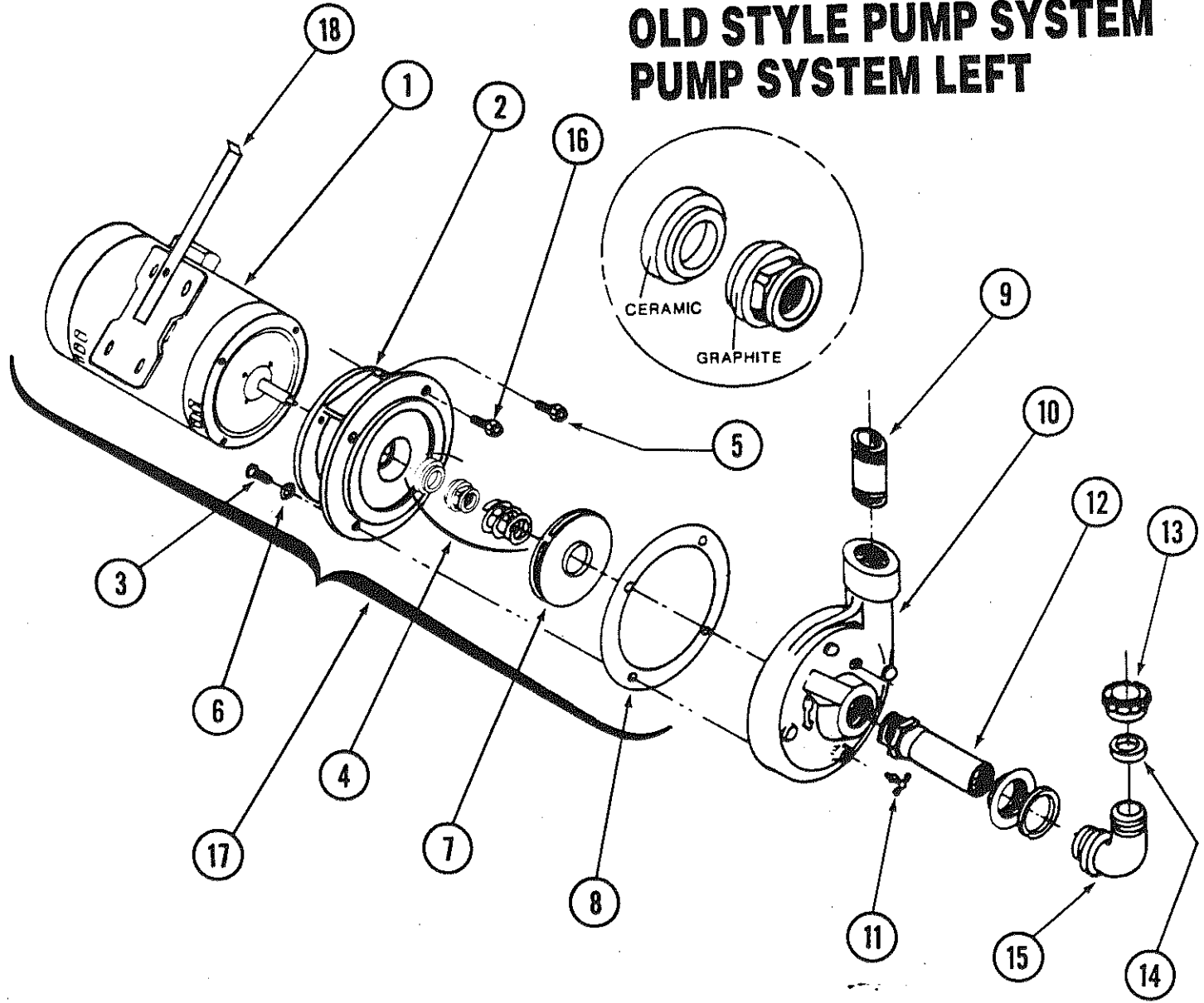


ITEM NO.	NO. REQ'D	DESCRIPTION
1	2	P/N 00911.00 8 - 32 x 1/2" Pan Head Screw
2	3	P/N 00927.00 8 - 32 Nylon Insert Lock Nut
3	1	P/N 00110.07 Chain
4	1	P/N 00902.00 8/32" x 1-1/4" Pan Head Screw
5	6	P/N 00922.00 1/4" Lock Star Washer
6	1	P/N 00121.00 Drain Ball
6A	-	P/N 00121.52 Drain Ball Dome Silicone
7	1	P/N 00115.30 Drain Sump Screen B
8	1	P/N 00112.03 Drain Sump Gasket B
9	1	P/N 00111.03 Drain Sump B
10	Opt.	P/N 00114.00 Drain Tee Gasket
11	Opt.	P/N 124.50/125.00 SS/ Rubber Drain Seat.
12	6	P/N 00924.00 SS Washer 1/4"
13	1	P/N 00113.50 Drain Tee
14	6	P/N 00920.00 5/16 - 18 x 3/4" Screw
15	1	P/N 00130.00 1-1/2" PVC Drain Tee End Plug
16	1	P/N 00120.00 Thermometer

\*Includes Items 1, 2, 21, 22, and 29.

ITEM NO.	NO. REQ'D	DESCRIPTION
17	4	P/N 00914.00 1/4 - 20 x 3/4" Hex Head Screw
18	4	P/N 00915.00 1/4 - 20 Nut
19	1	P/N 01507.50 Solenoid Cover A, B, C
20	-	P/N 00122.00 Drain Solenoid* Spring Assy.
21	1	P/N 01551.00 Solenoid Link
22	1	P/N 00105.00 Solenoid Spring
23	1	P/N 00100.00 Solenoid
24	1	P/N 01550.00 Solenoid Stop
25	1	P/N 00464.07 3/8" Solenoid Tubing
26	1	P/N 00102.00 Solenoid Base
27	9	P/N 00906.00 1/4 - 20 x 1/2" Hex Head Bolt
28	2	P/N 00103.00 Solenoid Bar
29	2	P/N 00106.00 Slit Washer (large)
30	2	P/N 00936.00 312-250 Shorty Bushing
31	1	P/N 01313.00 2" PVC Slip x MPT Adapter
32	2	P/N 01311.00 2" 90 Deg. Elbow SLIP X SLIP
33	1	P/N 05030.20 2" x 8" PVC Tubing
34	1	P/N 41019.11 1/2" ID x 11/10" OD Clear Hose

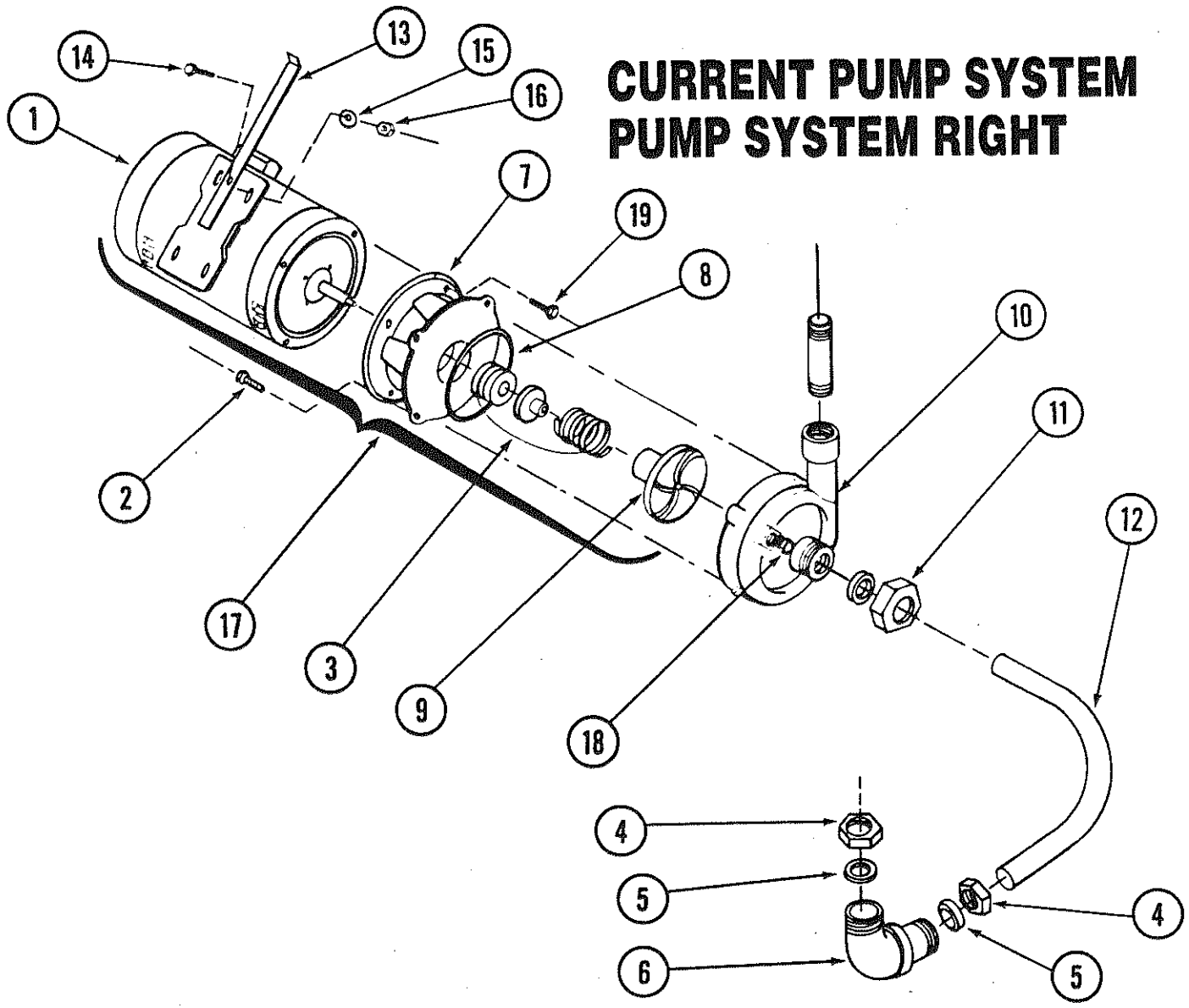
**OLD STYLE PUMP SYSTEM  
PUMP SYSTEM LEFT**



ITEM NO.	NO. REQ'D	DESCRIPTION
1	1	P/N 00201.00, Pump Motor 1 hp. 120-220V/60HZ
2	1	P/N 00202.00, Pump Base Large
3	4	P/N 00908.00, 5/16" - 18 x 5/8" Hex Head Bolt
4	1	P/N 00206.00, Pump Seal Kit
5	3	P/N 00901.00, 5/16 - 18 x 1" Hex Head Scr
6	4	P/N 00926.00, 5/16 ss Washe
7	1	P/N 00203.00, Closed Impeller
8	1	P/N 00205.00, Pump Gasket
9	1	P/N 00759.54, 1" x 3 1/2" ss Nipple

ITEM NO.	NO. REQ'D	DESCRIPTION
10	1	P/N 00204.00, Pump Cover Large
11	1	P/N 00220.00, 1/8" Petcock
12	1	P/N 00240.03, Motor Suction Tube
13	2	P/N 00207.00, 1 1/2" x 1 1/4" Slip Joint Nut
14	2	P/N 00208.00, Slop Joint Nut Gasket
15	1	P/N 00768.20, Pump Inlet Elbow
16	1	P/N00920.00, 5/16 - 18 x 3/4" Hex Head Scr
*17	-	P/N 00200.00 Pump Assy (Closed Impeller)
18	1	P/N 13916.00 Motor Support Bracket

\*Includes # 1, 2, 4, 5, 7, 8, Already Assembled



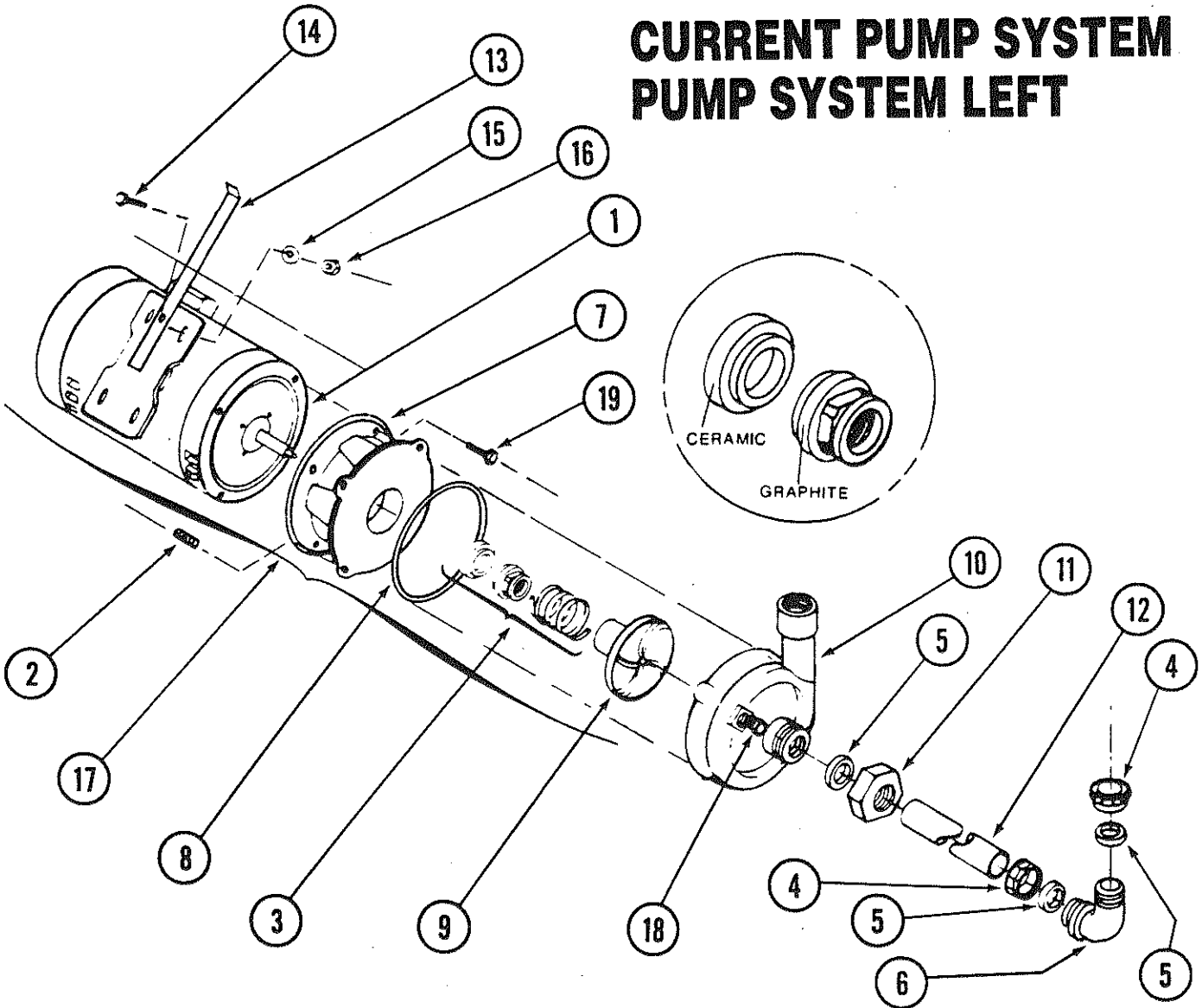
**CURRENT PUMP SYSTEM  
PUMP SYSTEM RIGHT**

ITEM NO.	NO. REQ'D	DESCRIPTION
1	1	P/N 00201.00, Pump Motor 1 hp.
2	2	P/N 00975.00, 3/8"-16 x 1 1/2" SS Stud
3	1	P/N 00206.00, Pump Seal Kit
4	2	P/N 00207.00, 1 1/2" x 1 1/4" Slip Joint Nut
5	3	P/N 00208.00, Slip Joint Nut Gasket
6	1	P/N 00768.20, Pump Inlet Elbow
7	1	P/N 03224.00, Pump Base Small
8	1	P/N 03226.00, Pump 'O' Ring
9	1	P/N 03222.05, Open Impeller

ITEM NO.	NO. REQ'D	DESCRIPTION
10	1	P/N 04206.00, Pump Cover Small
11	1	P/N 04204.00, Compression Nut (2.5")
12	1	P/N 00246.03, Motor Suction Tube
13	1	P/N 13916.00, Motor Support Bracket
14	1	P/N 00906.00, 1/4" - 20 x 1/2" Hex Head Bolt
15	1	P/N 00924.00, 1/4" ss Washer
16	1	P/N 00912.00, 1/4" - 20 Nylon Lock Nut
17*	Assy.	P/N 00200.10, Pump Assy.
18	1	P/N 00214.50, 1/2" Comp x 3/8" M.I.P. F.T.G
19	6	P/N 00921.00, 3/8" - 16 x 3/4" SS Hexhead Bolt

\* P/N 00200.10 Includes Items: 1,3,7,8, and 9 Already Assembled

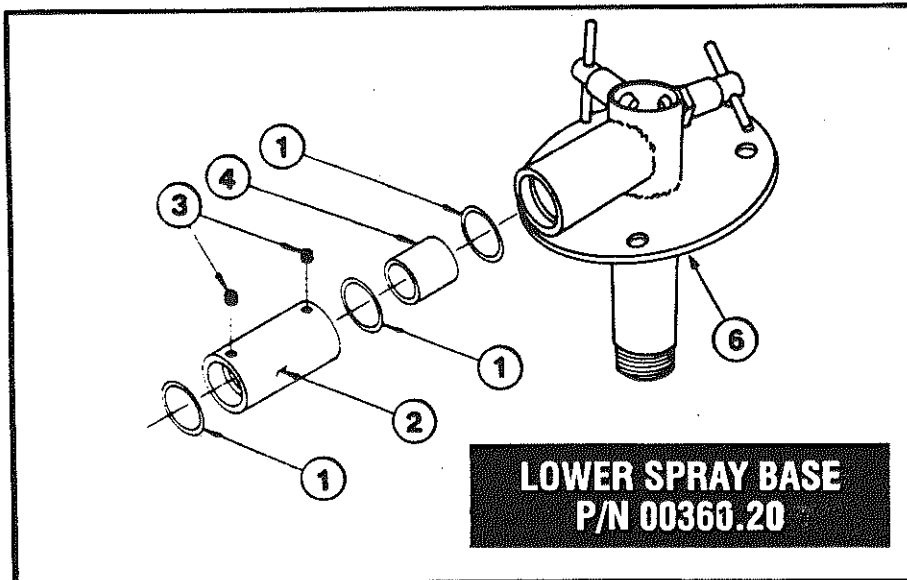
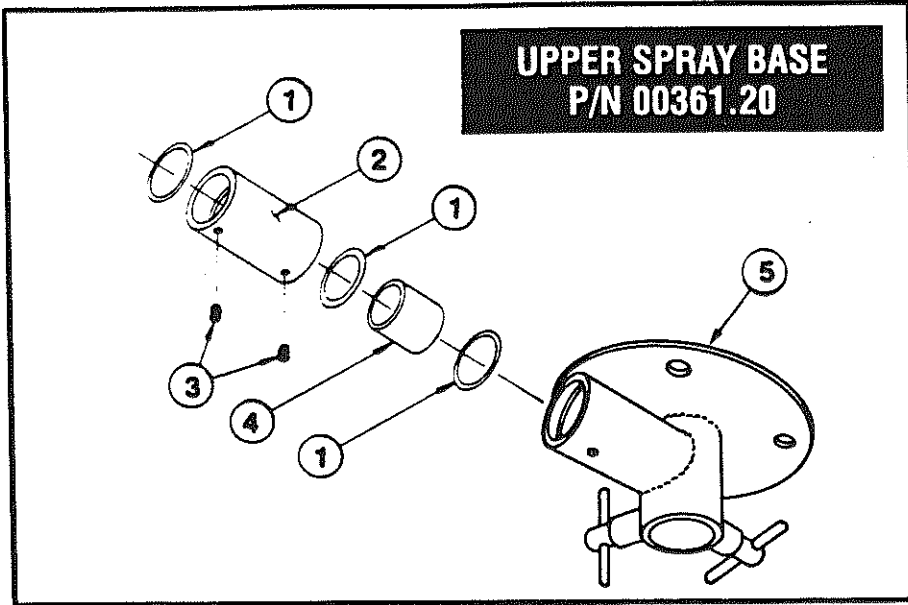
**CURRENT PUMP SYSTEM  
PUMP SYSTEM LEFT**



ITEM NO.	NO. REQ'D	DESCRIPTION
1	1	P/N 00201.00, Pump Motor 1 hp.
2	2	P/N 00975.00, 3/8"-16 x 1 1/2" SS Stud
3	1	P/N 00206.00, Pump Seal Kit
4	2	P/N 00207.00, 1 1/2" x 1 1/4" Slip Joint Nut
5	3	P/N 00208.00, Slip Joint Nut Gasket
6	1	P/N 00768.20, Pump Inlet Elbow
7	1	P/N 03224.00, Pump Base Small
8	1	P/N 03226.00, Pump 'O' Ring
9	1	P/N 03222.05, Open Impeller

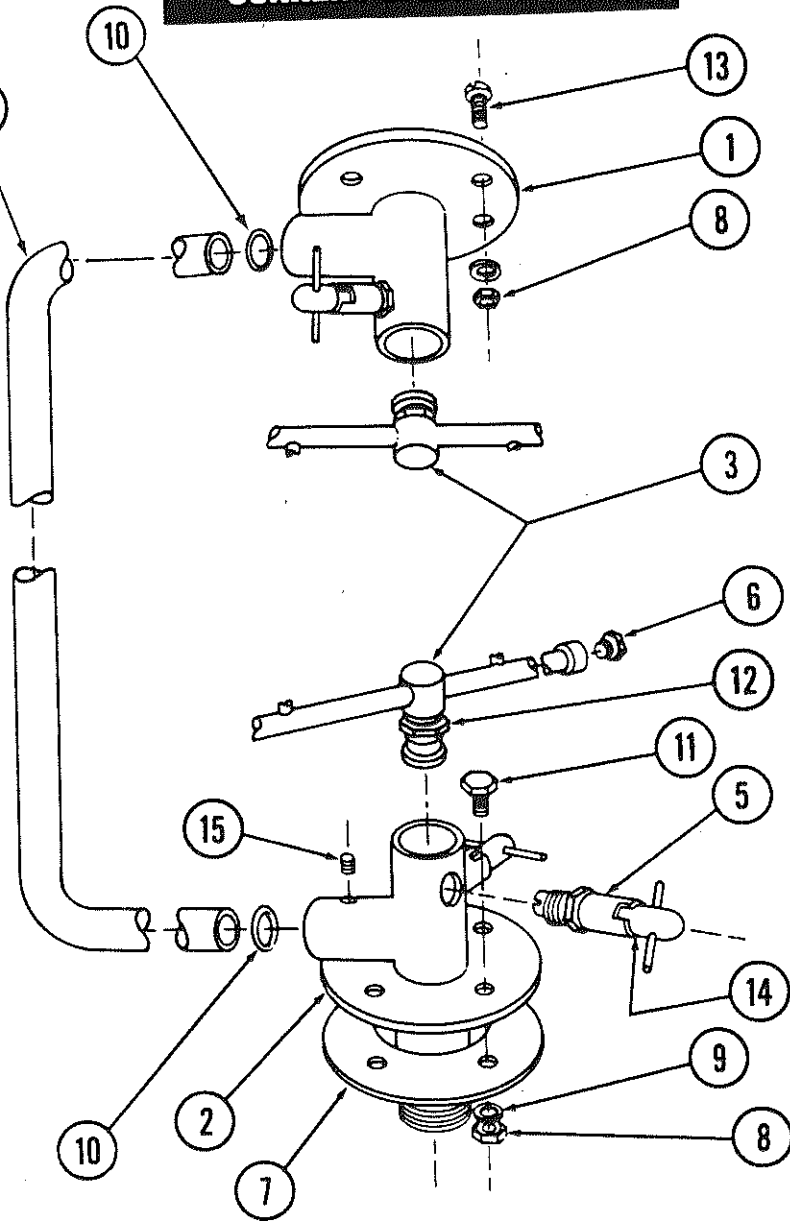
ITEM NO.	NO. REQ'D	DESCRIPTION
10	1	P/N 04206.00, Pump Cover Small
11	1	P/N 04204.00, Compression Nut (2.5")
12	1	P/N 00246.03, Motor Suction Tube
13	1	P/N 13916.00, Motor Support Bracket
14	1	P/N 00906.00, 1/4" - 20 x 1/2" Hex Head Bolt
15	1	P/N 00924.00, 1/4" ss Washer
16	1	P/N 00912.00, 1/4" - 20 Nylon Lock Nut
17*	Assy.	P/N 00200.10, Pump Assy.
18	1	P/N 00214.50, 1/2" Comp x 3/8" M.I.P. F.T.G
19	6	P/N 00921.00, 3/8" - 16 x 3/4" SS Hexhead Bolt

\* P/N 00200.10 Includes Items: 1,3,7,8, and 9 Already Assembled



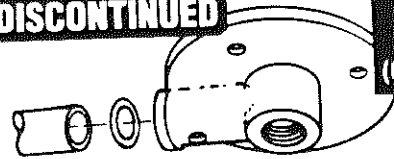
ITEM NO.	NO. REQ'D	DESCRIPTION
1	6	P/N 00302.51 "O" Ring
2	2	P/N 00344.00 Coupling SP. BS. 1-1/8" x 1-1/8"
3	4	P/N 00966.10 10 - 32 x 1/4" Hexhead Bolt
4	2	P/N 00344.20 Coupling Spacer
5	1	P/N 00361.10 Upper Spray Base
6	1	P/N 00360.10 Lower Spray Base

## CURRENT SPRAY SYSTEM



P/N 00301.50  
**DISCONTINUED**

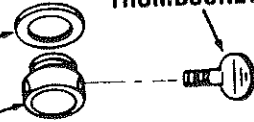
**UPPER  
SPRAY  
BASE  
(OLD STYLE)**



**AVAILABLE**

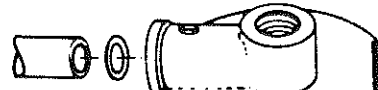
00300.54  
SS SPRAY  
BASE WASHER  
00300.52  
SPRAY BASE  
COLLAR

00955.00  
5/16" x 5/8"  
THUMBSCREW



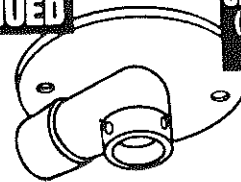
P/N 00300.50  
**DISCONTINUED**

**LOWER  
SPRAY  
BASE  
(OLD STYLE)**



P/N 00301.51  
**DISCONTINUED**

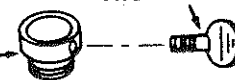
**UPPER  
SPRAY BASE  
(OLD STYLE  
"O" RING)**



**AVAILABLE**

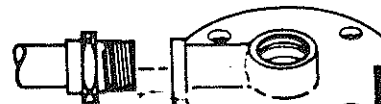
00300.52  
SPRAY BASE  
COLLAR

00955.00  
5/16" x 5/8"  
THUMBSCREW



P/N 00300.51  
**DISCONTINUED**

**LOWER  
SPRAY BASE  
(OLD STYLE  
"O" RING)**



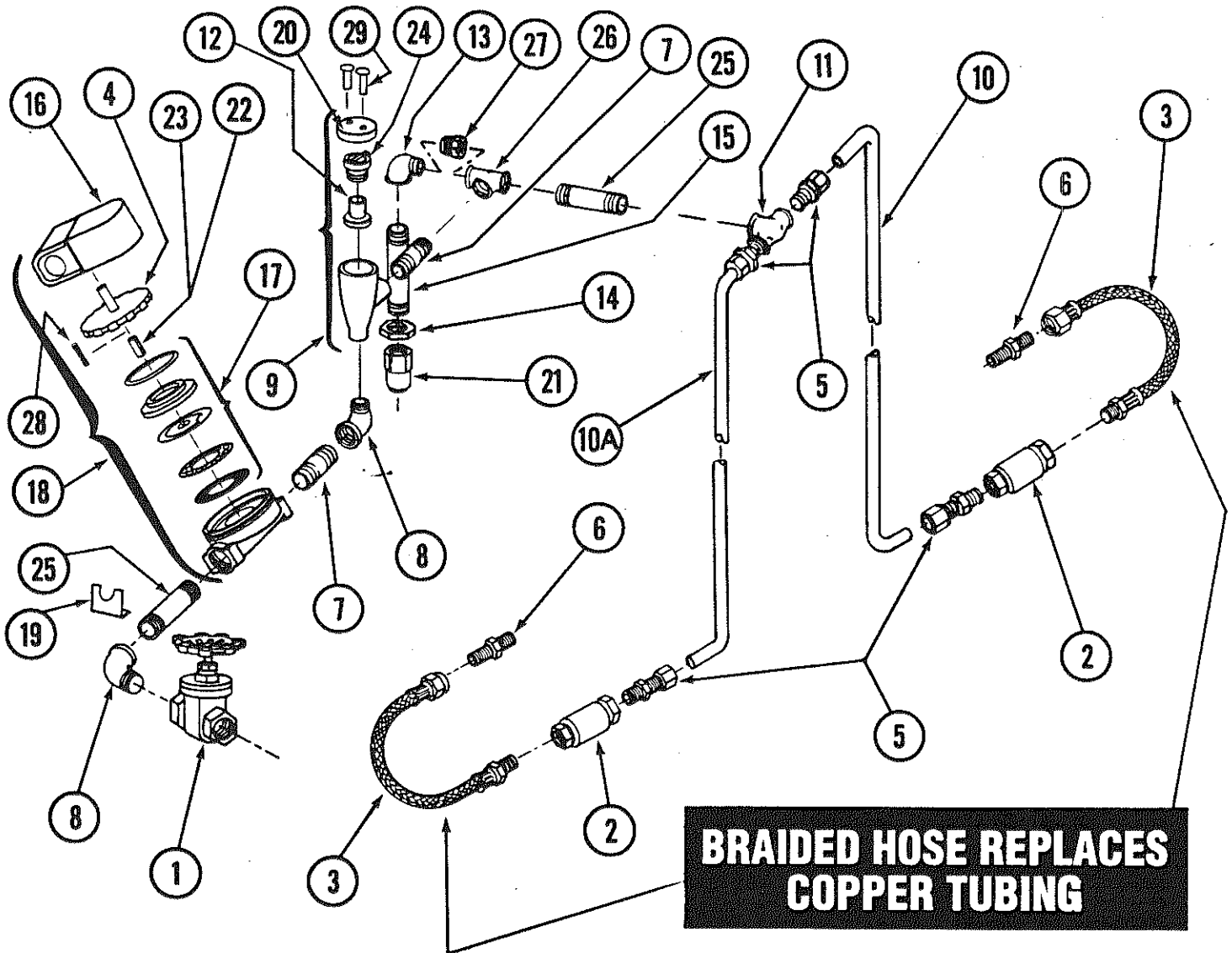
ITEM NO.	NO. REQ'D	DESCRIPTION
1	2	P/N 00361.10 Upper Spray Base SS*
2	2	P/N 00360.10 Lower Spray Base SS*
3	4	P/N 00304.03 Spray Arm B Series
4	2	P/N 00303.33 Manifold B
5	-	P/N 00363.00 Spray Base Lock Pin **
6	8	P/N 00308.50 Spray Arm End Plug
7	2	P/N 00302.00 Spray Base Gasket
8	16	P/N 00912.00 1/4" Nylon Lock Nut

ITEM NO.	NO. REQ'D	DESCRIPTION
9	32	P/N 00924.00 1/4" SS Washer
10	4	P/N 00302.51 "O" Ring Spray Base
11	8	P/N 00914.10 1/4" - 20 x 5/8" Hexhead Bolt
12	4	P/N 00341.00 Spray Arm Bearing
13	8	P/N 00929.00 1/4" - 20 x 3/4" Trusshead Bolt
14	-	P/N 00363.10 Lock Arm Spring
15	4	P/N 00966.10 10 - 32 x 1/4" Hexhead Bolt

\* Includes 2 of Part #00363.00.

\*\* Includes the spring # 00363.10.

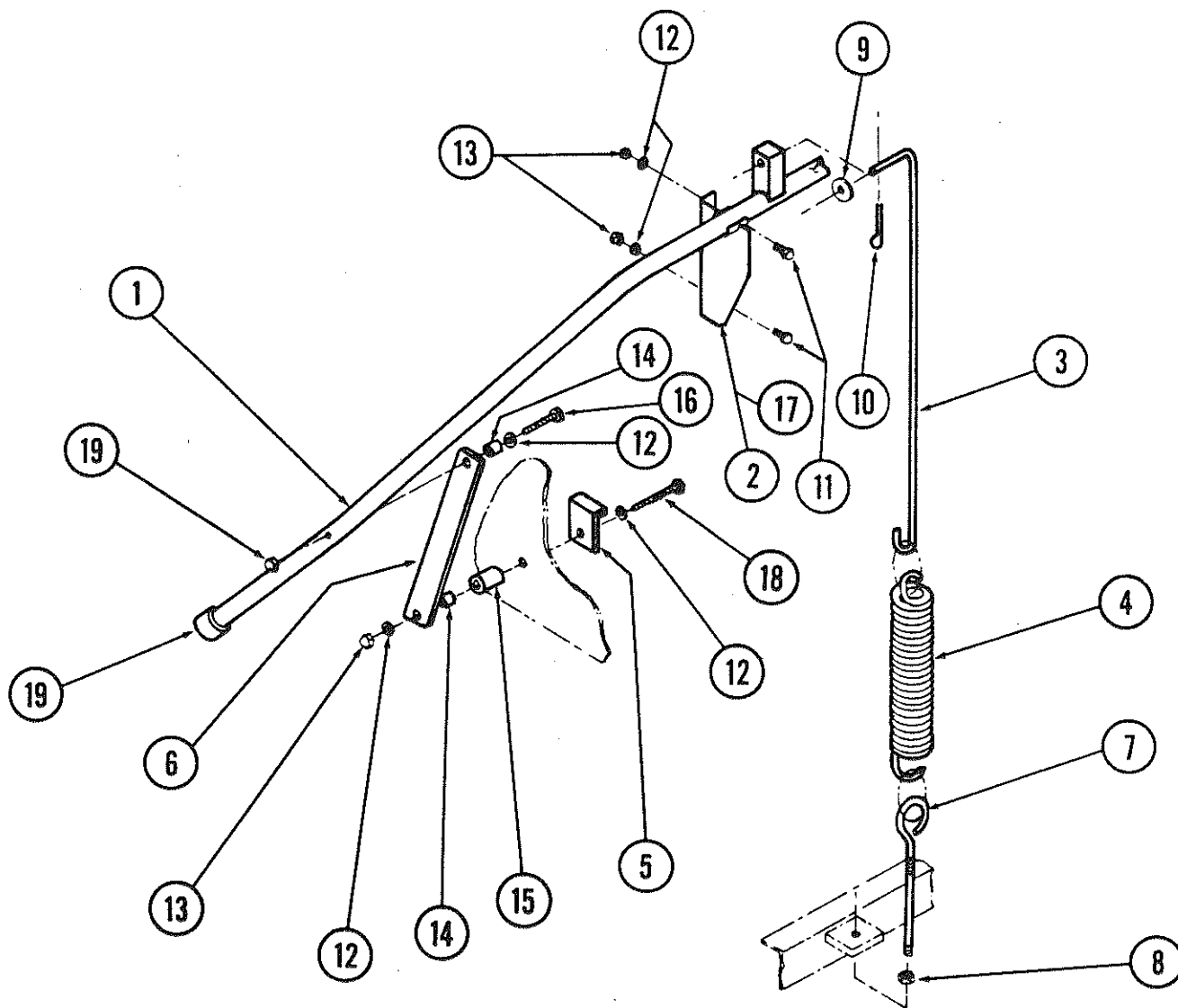
† See Page 7 for Spray Base Convention Kit.



ITEM NO.	NO. REQ'D	DESCRIPTION
1	1	P/N 00700.00 3/4" Gate Valve
2	2	P/N 00715.00 1/2" Ball Check Valve
3	2	P/N 00798.00 SS Braided Hose
4	-	P/N 00705.20 Water Solenoid Valve Bonnet
5	4	P/N 00760.00 5/8" Comp x 1/2" MIP Fitting
6	2	P/N 00214.50 1/2" Comp x 3/8" MIP Fitting
7	2	P/N 00701.00 3/4" x 1-1/2" Nipple
8	2	P/N 00704.00 3/4" Street Elbow
9	1	P/N 00710.50 3/4" Vacuum Breaker
10	1	P/N 00796.00 Flush Tube (Right)
10A	1	P/N 00796.50 Flush Tube (Left)
11	1	P/N 00716.00 1/2" x 3/4" x 1/2" Tee
12	-	P/N 00735.00 Repair Kit (Vacuum Breaker)
13	1	P/N 00745.00 1/2" Street Elbow
14	2	P/N 00721.00 1/2" Jamb Nut

ITEM NO.	NO. REQ'D	DESCRIPTION
15	1	P/N 00747.10 1/2" x 5" Nipple
16	-	P/N 00738.10 Solenoid Coil J/E
17	-	P/N 00706.00 Repair Kit (Water Solenoid)
18	1	P/N 00705.00 3/4" Water Solenoid J/E
19	1	P/N 01525.00 Plumbing Support Bracket
20	-	P/N 00739.50 Vacuum Breaker Cap SS
21	1	P/N 00748.00 Sprinkler Head
22	-	P/N 00786.00 Plunger G Style - New
23	-	P/N 00785.00 Plunger J Style - Old
24	1	P/N 00735.60 Vacuum Breaker Bonnet Brass
25	2	P/N 00781.00 Nipple 3/4" x 3 1/2" Brass
26	1	P/N 00716.50 3/4" x 3/4" x 3/4" Brass Tee
27	1	P/N 00741.00 3/4" x 1/2" Bushing
28	-	P/N 00706.10 Solenoid Plunger Spring
29	-	P/N 00421.51 6 - 33 x 1/4" SS Pinhead Screw

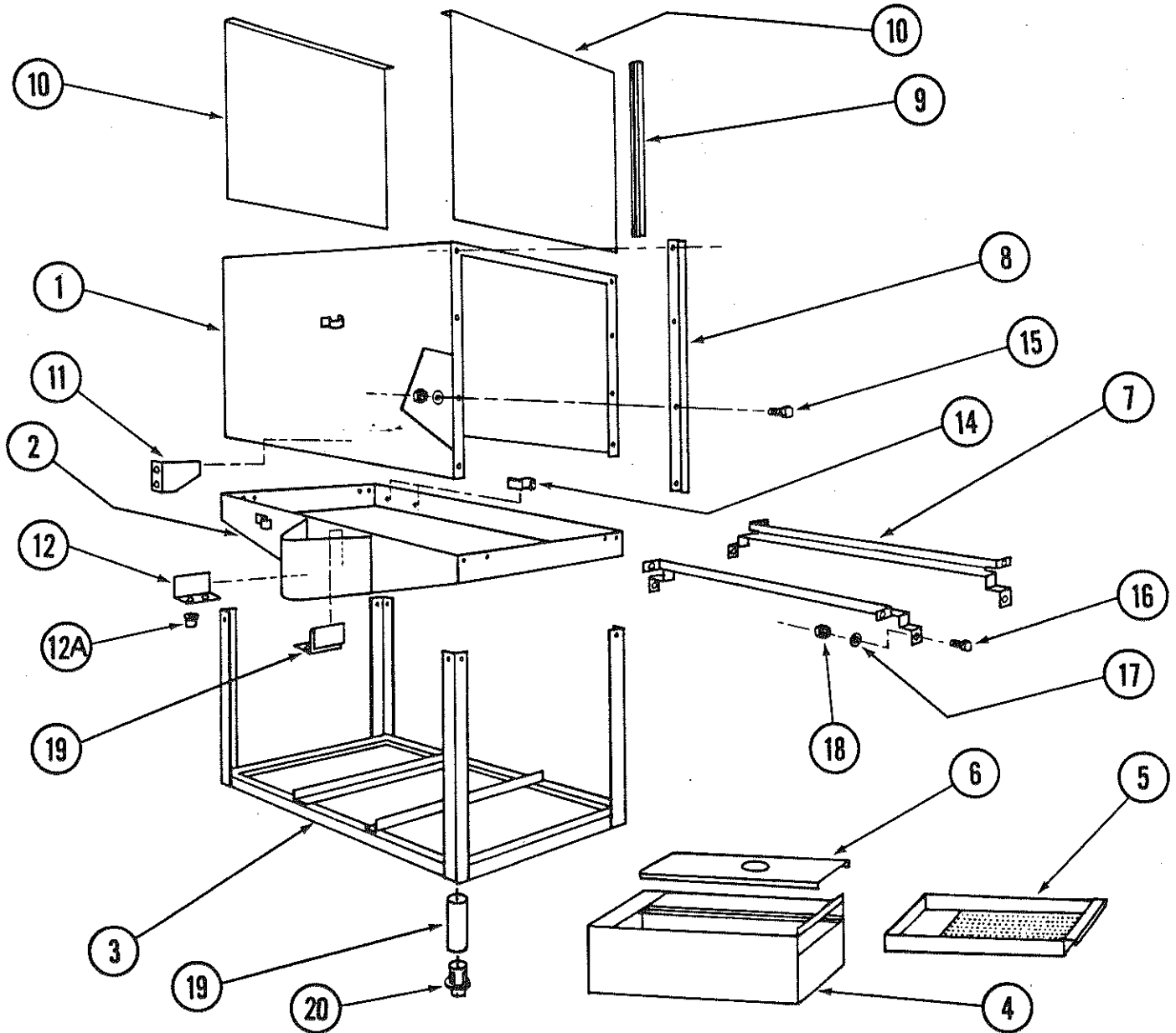
# DOOR ACTUATOR ASSEMBLY



ITEM NO.	NO. REQ'D	DESCRIPTION
1	1	P/N 00613.03 Door Handle B
2	1	P/N 01556.00 Right Door Handle Support
3	2	P/N 00603.07 Door Spring Extension Rod
4	2	P/N 00602.00 Door Spring
5	2	P/N 01552.00 Door Stop
6	2	P/N 01553.00 Door Handle Link
7	2	P/N 00606.00 5/16"-18 x 7" Eyebolt
8	2	P/N 00913.00 5/16"-18" Nut
9	2	P/N 00926.00 5/16" SS Washer
10	2	P/N 00900.00 Cotton Pin

ITEM NO.	NO. REQ'D	DESCRIPTION
11	4	P/N 00906.00 1/4"- 20 x 1/2" Hex Head Screw
12	9	P/N 00924.00 1/4" SS Washer
13	8	P/N 00912.00 1/4"- 20 Nylon Insert Lock Nut
14	4	P/N 00610.00 Door Handle Spacer (small)
15	4	P/N 00611.00 Door Handle Spacer (large)
16	2	P/N 00910.00 1/4"- 20 x 1-1/2" Hex Screw
17	1	P/N 01555.00 Left Door Handle Support
18	2	P/N 00903.00 1/4"- 20 x 1-3/4" Hex Screw
19	2	P/N 00607.07 Door Handle Cap

# CABINET ASSEMBLY



ITEM NO.	NO. REQ'D	DESCRIPTION
1	1	P/N 01530.03 Wrapper (TM-B)
2	1	P/N 01501.03 Pan Double (B)
3	1	P/N 01532.53 Stand TM-B (w/o Legs)
4	1	P/N 01579.10 Scrap Trap Body (Universal)
5	1	P/N 01579.20 Scrap Trap Drawer
6	1	P/N 01579.30 Scrap Trap Lid
7	Set	P/N 01505.03 Tray Track B (Set of Two)
8	4	P/N 01554.30 EZ Glide Door Guide SS 21 1/8"
9	4	P/N 00636.10 EZ Glide Door Guide (Plastic)
10	2	P/N 01506.30 SS Door (A, B, C, M, CMA-44)

ITEM NO.	NO. REQ'D	DESCRIPTION
11	2	P/N 01505.13 Support BRKT. For B Tray Track
12	2	P/N 01571.00 Drain Baffle
12A	4	P/N 00427.00 Snap Bushing 375-4
13	1	P/N 01558.00 Chem Tube Support Bracket
14	3	P/N 00725.50 1/2" Plumbing Strap
15	16	P/N 00905.00 Trusshead Bolt 1/4"-20 x 1/2"
16	22	P/N 00906.00 Hexhead Bolt 1/4"-20 x 1/2"
17	72	P/N 00924.00 SS Washer 1/4"
18	38	P/N 00912.00, SS Nylon Lock Nut 1/4"
19	4	P/N 01572.10 SS Legs (A, AH, C, B)
20	4	P/N 01310.00 Bullet Foot